



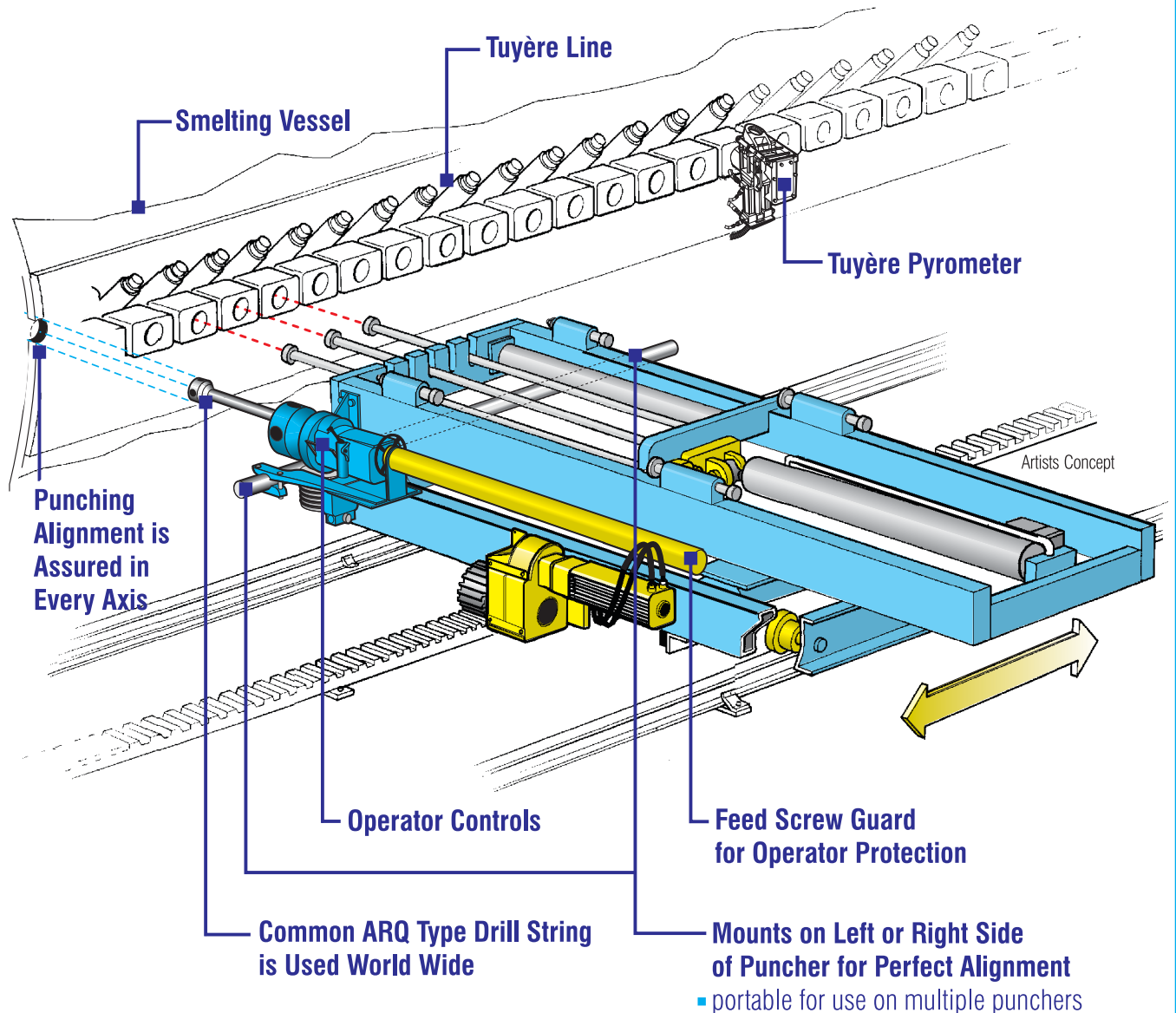
HEATH & SHERWOOD

refractory drill

Model 7460

Fast, Accurate Drilling of Tuyère Line Refractory

- ensures tuyère line matches puncher
- air motor driven
- feed screw advance
- adjustable drilling rate
- custom designed air cooled coring bit

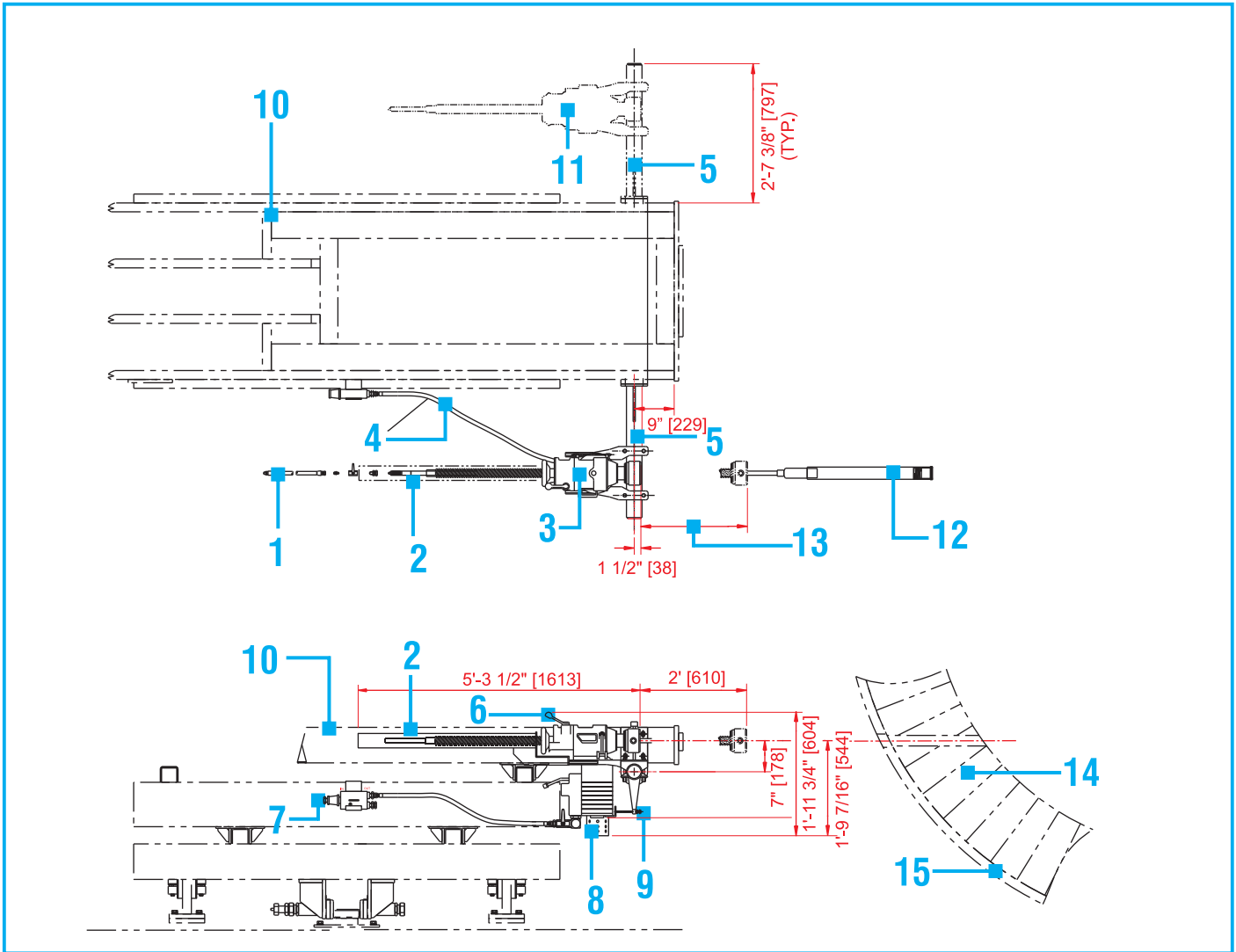


refractory drill

Model 7460



specifications



- | | | |
|---|---|---|
| <p>1 oil free bit cooling air supply assembly</p> <p>2 feed screw guard</p> <p>3 model "VEG" air driven drill
▪ up to 32 hp</p> <p>4 lubricated air motor supply hose</p> <p>5 double ended mounting bar
▪ allows for drilling of all tuyères on restricted travel converter platforms</p> | <p>6 feed shifter handle</p> <p>7 air inlet connection NPT threaded</p> <p>8 air exhaust silencer for quiet operation</p> <p>9 level adjusting screw provides easy alignment</p> <p>10 typical auto puncher frame</p> <p>11 alternate drill assembly position</p> | <p>12 diamond coring bit to suit tuyère pipe outside diameter</p> <p>13 feed screw travel</p> <p>14 refractory brick</p> <p>15 converter vessel
▪ drill weight- 257 lbs (125 kg approx.)
▪ mounting bar weight- 110 lbs (50 kg)</p> |
|---|---|---|

Heath & Sherwood (1964) Limited
Box 340 Kirkland Lake, Ontario
Canada P2N 3J2

Tel. (705) 567-5313
Fax. (705) 568-8545
Toll Free in North America:
1 888-go sample (467-2675)
email: info@heathandsherwood.com

Subsidiary Office:
Mississauga, Ontario Canada
Agents world wide

Visit our website at:
www.heathandsherwood.com