



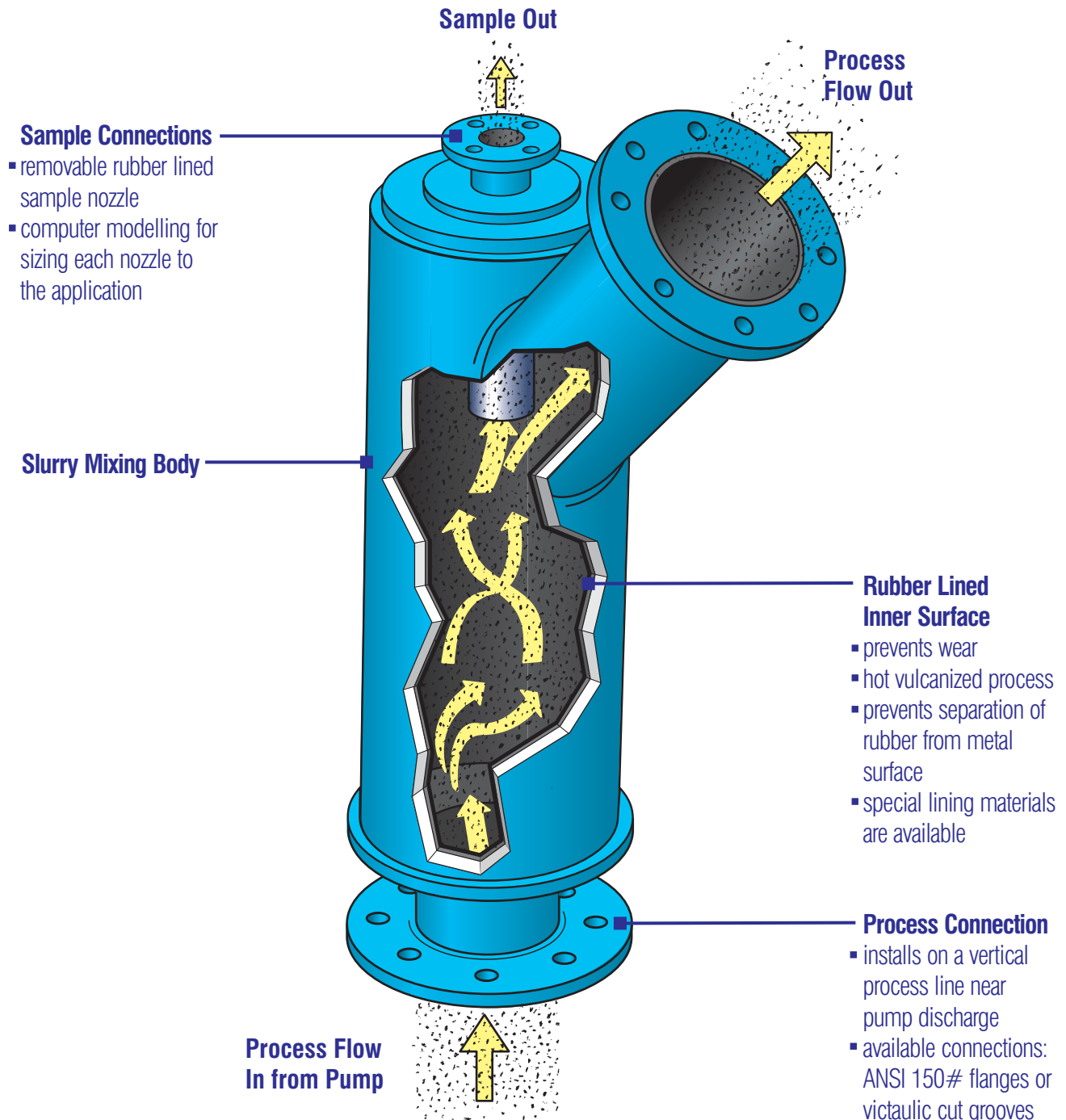
HEATH & SHERWOOD

# pressure pipe sampler

Model PPVNB Inline Series

## Continuous Sampling for On-stream Analysis from Pressurized Vertical Pipes

Typical application: to streams in mineral concentrators where the product is pumped to next stage

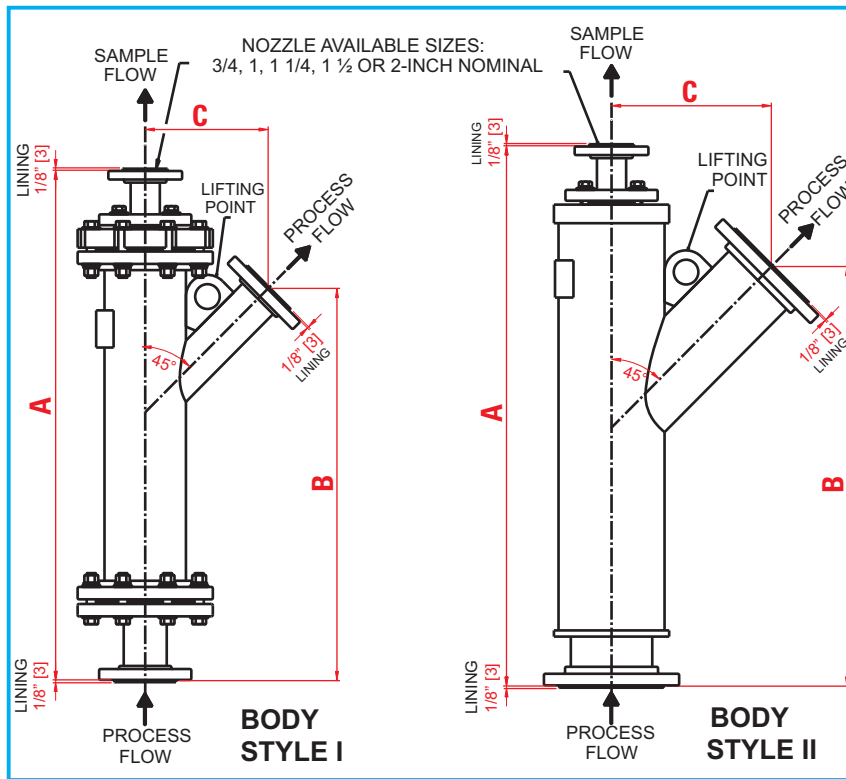


# pressure pipe sampler

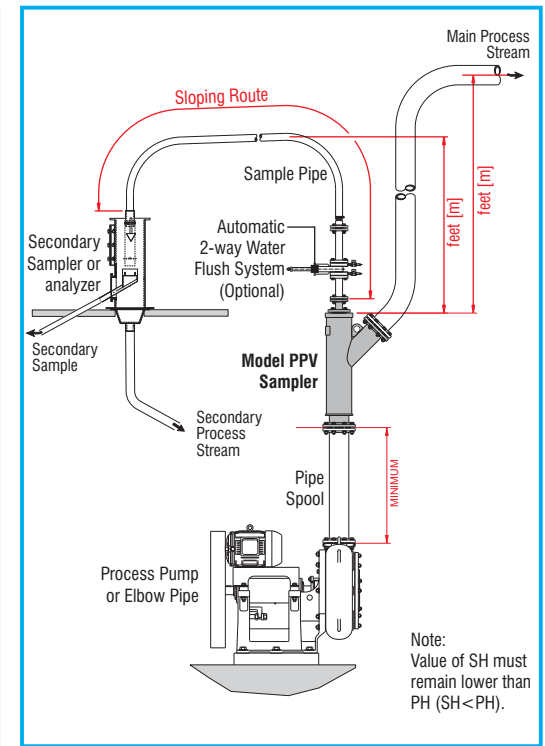


Model PPVNB Inline Series

## specifications



## typical installation



## dimensions

nominal size (inches)	model number	body style	dimension $\pm 1/8$ " (3 mm)			weight (est.)	
			A inches (mm)	B inches (mm)	C inches (mm)	flanged lbs (kg)	grooved lbs (kg)
3	PPVNB03	I	41 1/4 (1048)	31 3/4 (806)	10 (254)	242 (110)	218 (99)
4	PPVNB04	I	42 1/2 (1080)	33 1/2 (851)	11 (279)	260 (118)	228 (103)
5	PPVNB05	I	44 (1118)	35 (889)	12 (305)	275 (125)	237 (108)
6	PPVNB06	II	43 1/2 (1105)	34 (864)	13 (330)	243 (110)	197 (89)
8	PPVNB08	II	46 1/2 (1181)	36 1/4 (921)	15 (381)	374 (170)	280 (127)
10	PPVNB10	II	49 1/2 (1257)	38 3/4 (984)	17 (432)	488 (221)	394 (179)
12	PPVNB12	II	52 1/4 (1327)	41 1/2 (1054)	19 (483)	613 (278)	478 (217)
14	PPVNB14	II	54 (1372)	43 1/2 (1104)	21 (533)	957 (434)	574 (260)
16	PPVNB16	II	57 (1448)	45 3/4 (1162)	23 (584)	1170 (531)	693 (314)
18	PPVNB18	II	59 3/4 (1518)	48 1/4 (1226)	25 (635)	1233 (559)	824 (374)
20	PPVNB20	II	62 1/2 (1588)	50 3/4 (1289)	27 (686)	1607 (729)	954 (433)
22	PPVNB22	II	65 1/2 (1664)	53 (1346)	29 (737)	1886 (855)	1133 (514)
24	PPVNB24	II	68 1/4 (1734)	55 1/2 (1409)	31 (787)	2146 (973)	1274 (578)
26	PPVNB26	II	71 (1803)	58 (1473)	33 (838)	2536 (1150)	1400 (635)
28	PPVNB28	II	73 3/4 (1873)	60 1/2 (1537)	35 (889)	2847 (1291)	1525 (692)
30	PPVNB30	II	78 3/4 (2000)	64 3/4 (1645)	37 (940)	3000 (1361)	1660 (753)
32	PPVNB32	II	81 1/2 (2070)	67 (1702)	39 (991)	3325 (1508)	1795 (814)
34	PPVNB34	II	84 1/4 (2140)	69 1/2 (1765)	41 (1041)	3650 (1656)	1930 (875)
36	PPVNB36	II	87 (2210)	72 (1829)	43 (1092)	3975 (1803)	2065 (937)

## Nozzle Sizing

- customer to supply:
- pump pressure (less than or equal to 100 psi)
  - sample height (SH)
  - S.G. of slurry
  - pipe run

Heath & Sherwood (1964) Limited  
Box 340 Kirkland Lake, Ontario  
Canada P2N 3J2

Tel. (705) 567-5313  
Fax. (705) 568-8545  
Toll Free in North America:  
1 888-go sample (467-2675)  
email: info@heathandsherwood64.com

Subsidiary Offices:  
Toronto, Ontario Canada  
Agents World Wide

Visit our website at:  
[www.heathandsherwood64.com](http://www.heathandsherwood64.com)