

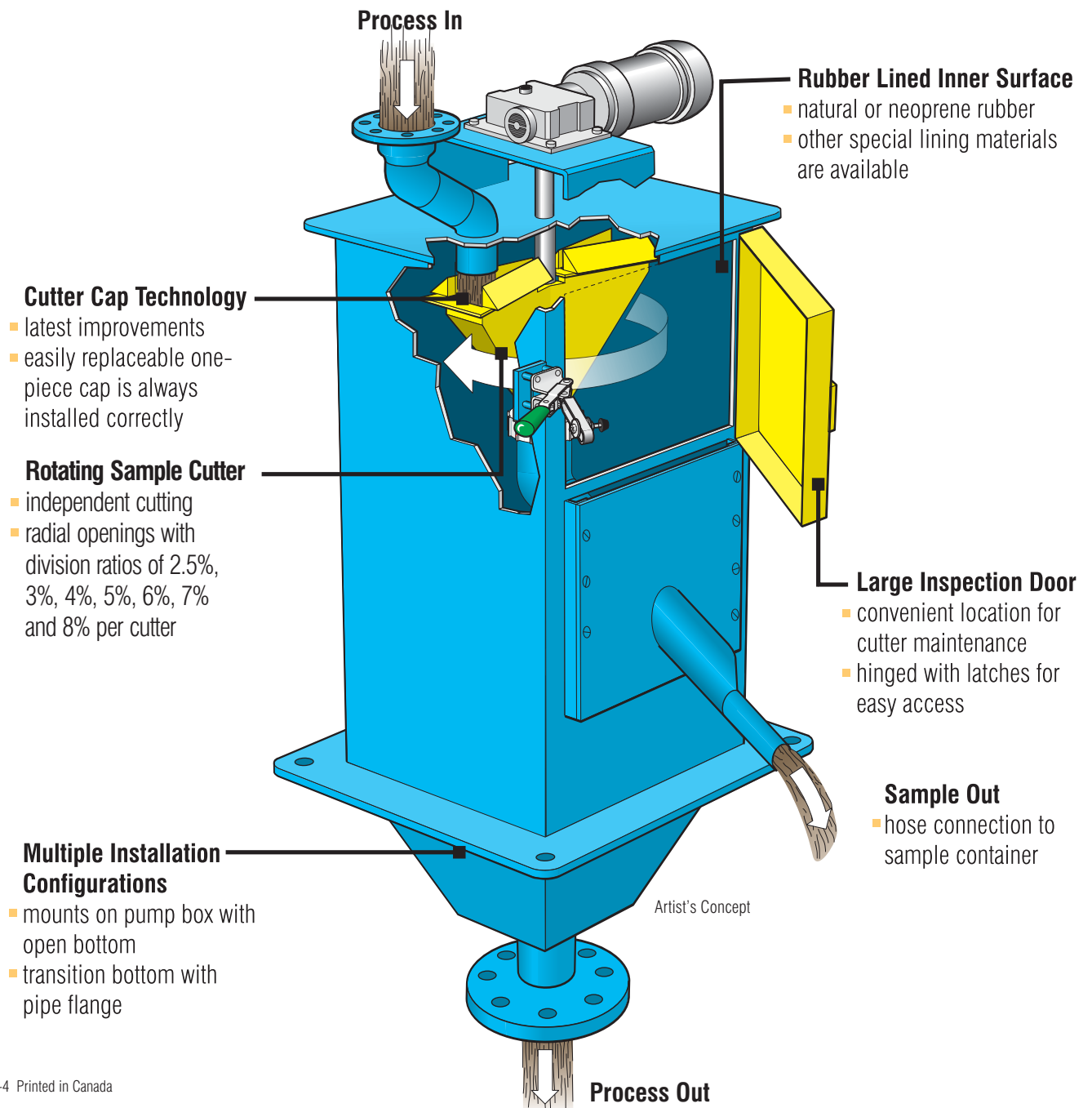


# ROTARY VEZIN SAMPLER

**MODEL 4510-3200**

**Accurate Sampling from Rotary Action Cutter following the Recommendations of Existing Standards and Consultants**

Continuous or intermittent sampling from an easy to install self-contained module

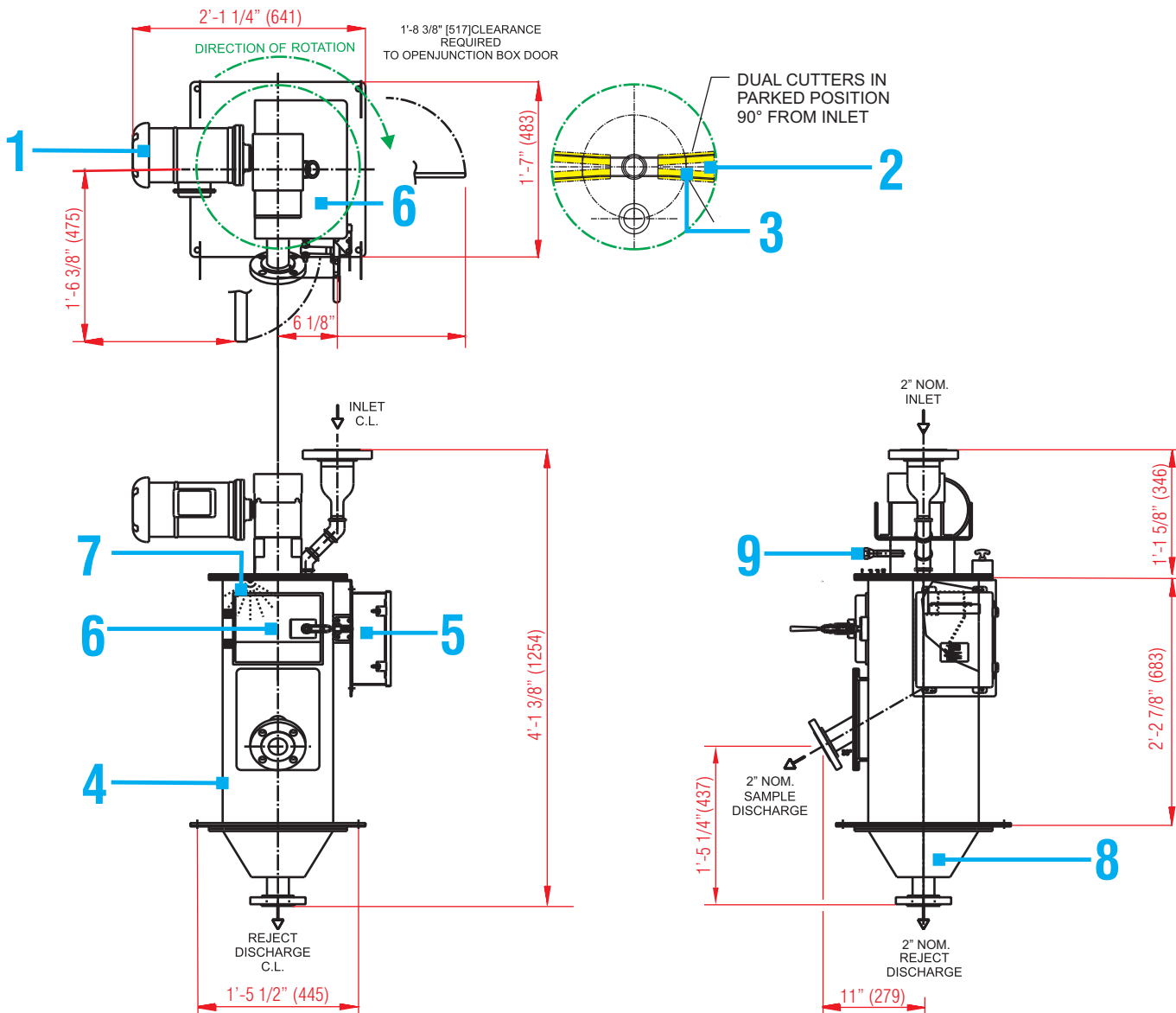


# ROTARY VEZIN SAMPLER

MODEL 4510-3200



## MAJOR COMPONENTS (STANDARD DESIGN- TWO CUTTER VERSION FOR SOLIDS)



**1** 1/3 hp TEFC electric motor with brake, power supply as per customer requirements

**2** cutter cap available in moulded polyurethane or stainless steel

**3** cutter(s) available in arrangements of 1 to 3 sets

**4** body constructed of heavy steel plate (stainless steel available on request)

**5** junction box

**6** inspection doors (2), one lid and one body/enclosure

**7** optional water flush system

**8** transition bottom as shown also available as open bottom

**9** limit switch (home position)

- weight: 250 lbs (127 kg)
- continuous and intermittent operation available
- general arrangement sketch shown with flange connections -victaulic connections also available
- CE marking available

**Heath & Sherwood (1964) Limited**  
Box 340 Kirkland Lake, Ontario  
Canada P2N 3J2

**Tel:** (705) 567-5313  
**Fax:** (705) 568-8545  
**Toll Free in North America:**  
1 888-go sample (467-2675)  
**email:** info@heathandsherwood.com

**Subsidiary Offices:**  
Mississauga, Ontario Canada  
Agents World Wide

**Visit our website:** [www.heathandsherwood.com](http://www.heathandsherwood.com)