

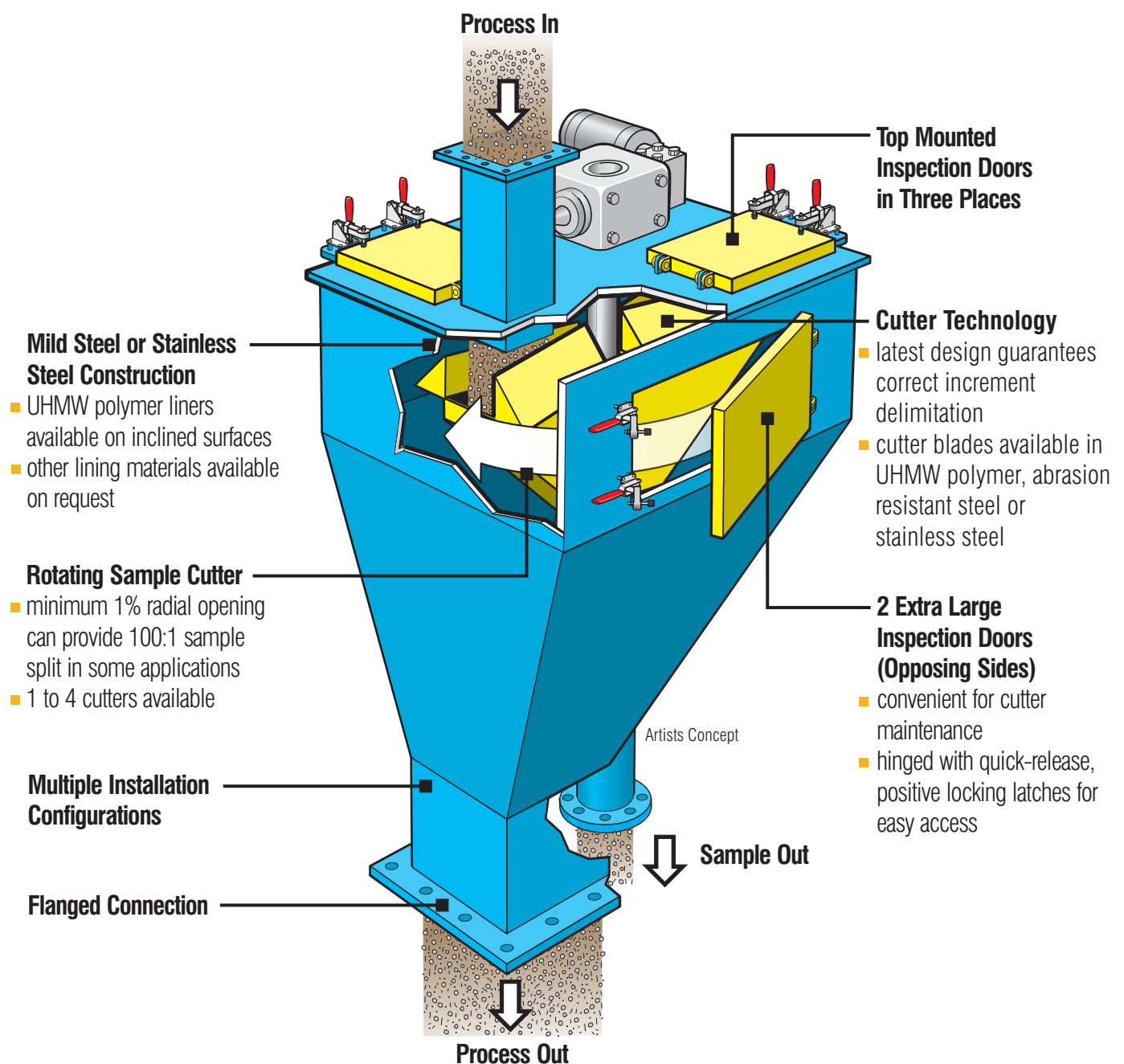


ROTARY VEZIN SAMPLER

MODEL 4820

Follows the Latest Standards using Radial Cutter Design to Guarantee **Accurate, Unbiased** Sampling of Solids

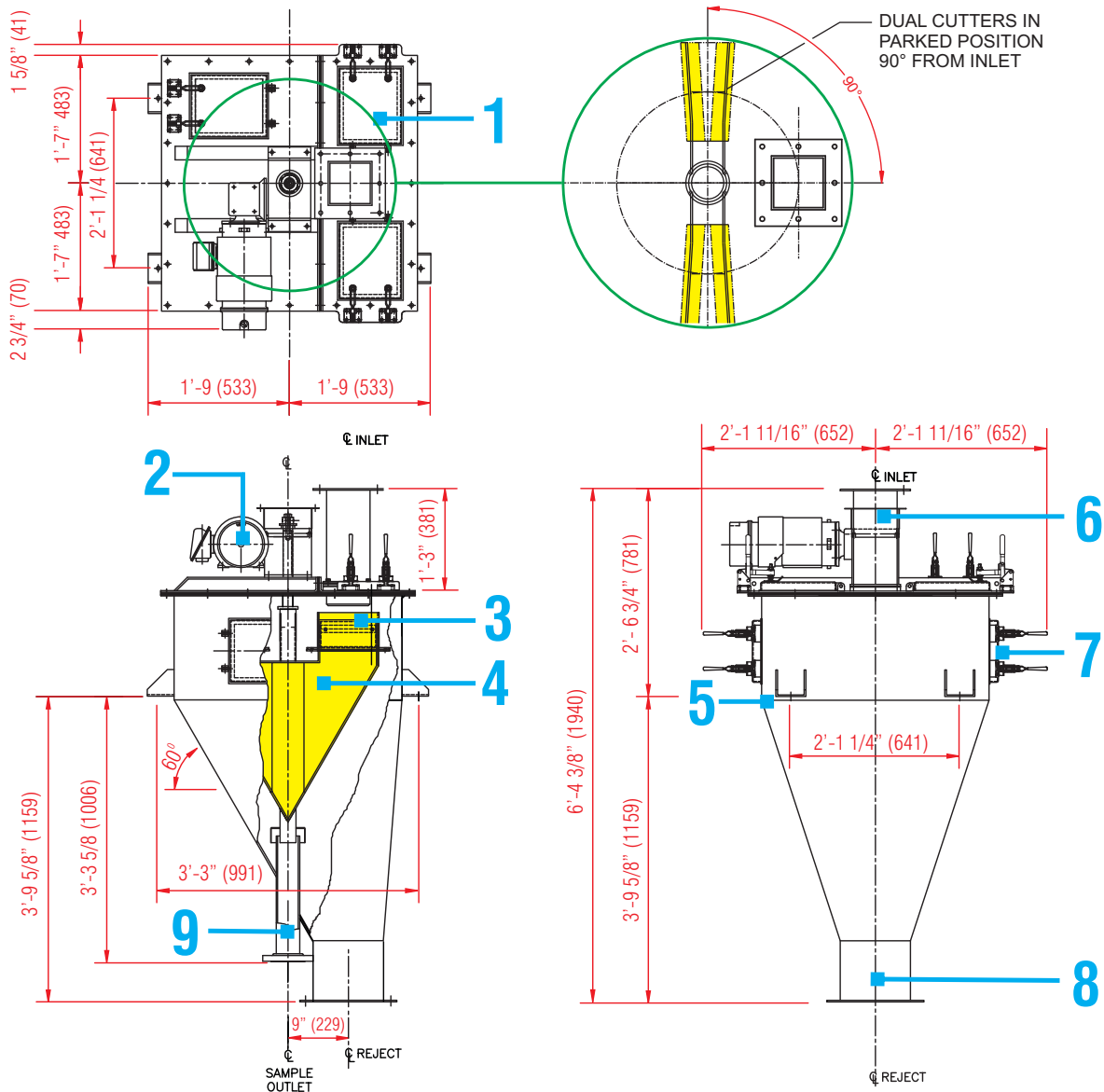
Continuous or optional intermittent sampling from an easy to install self-contained module



ROTARY VEZIN SAMPLER MODEL 4820



MAJOR COMPONENTS (STANDARD DESIGN- TWO CUTTER VERSION FOR SOLIDS)



- | | | |
|---------------------------------------------------------------------------------------------------------------------------------------------------------------------------------------------------------------------------------------------------------------------------------------------------------------------------------------------------------------------------------------------------------------------------------------|--------------------------------------------------------------------------------------------------------------------------------------------------------------------------------------------------------------------------------------------------------|------------------------------------------------------------------------------------------------------------------------------------------------------------------------------------------------------------|
| <p>1 top mounted access doors (3)</p> <p>2 standard motor for continuous operation:
1/4 hp T.E.F.C. at customer required voltage</p> <ul style="list-style-type: none"> ▪ standard motor for intermittent operation:
1/3 hp T.E.N.V. brakemotor at customer required voltage <p>3 fixed cutter blade holder available with UHMW polymer, stainless or abrasion resistant steel blades</p> | <p>4 cutter(s) available in arrangements of 1 to 4 sets</p> <p>5 body constructed of heavy steel plate (stainless steel available on request)</p> <p>6 4 or 6 inch square inlet</p> <p>7 side mounted access doors (2)</p> | <p>8 8 inch square outlet</p> <p>9 4 inch sample discharge</p> <ul style="list-style-type: none"> ▪ weight: 1200 lb (545 kg) ▪ intermittent operation also available |
|---------------------------------------------------------------------------------------------------------------------------------------------------------------------------------------------------------------------------------------------------------------------------------------------------------------------------------------------------------------------------------------------------------------------------------------|--------------------------------------------------------------------------------------------------------------------------------------------------------------------------------------------------------------------------------------------------------|------------------------------------------------------------------------------------------------------------------------------------------------------------------------------------------------------------|

Heath & Sherwood (1964) Limited
Box 340 Kirkland Lake, Ontario
Canada P2N 3J2

Tel: (705) 567-5313
Fax: (705) 568-8545
Toll Free in North America:
1 888-go sample (467-2675)
email: info@heathandsherwood.com

Subsidiary Offices:
Mississauga, Ontario Canada
Agents World Wide

Visit our website: www.heathandsherwood.com