



HEATH & SHERWOOD

arcual samplers

Model 3000 Series Intermittent

**Many Models to Choose From:
4 to 18 Inch Inlets**

Standard and custom designs with many applications for free-falling materials from pipes or chutes.

Primary Flow In

Process Connection

- flanged, victaulic, or plain end pipe

Inspection Doors

- convenient location for cutter adjustment
- large, hinged, easily accessible

Cutter Blades

- easily replaceable
- available in various materials

Sectorial Cutter

- field adjustable opening

Enclosure

- self-contained
- integrated enclosure
- easily installed

Artists Concept

Patented Pneumatic Drive

- ensures uniform cutter velocity through the material stream
- follows accepted rules and standards, eliminating sampling bias

Air Connection

- field adjustable speed control

Rubber Lined Inner Surface

- prevents wear
- special lining materials are available

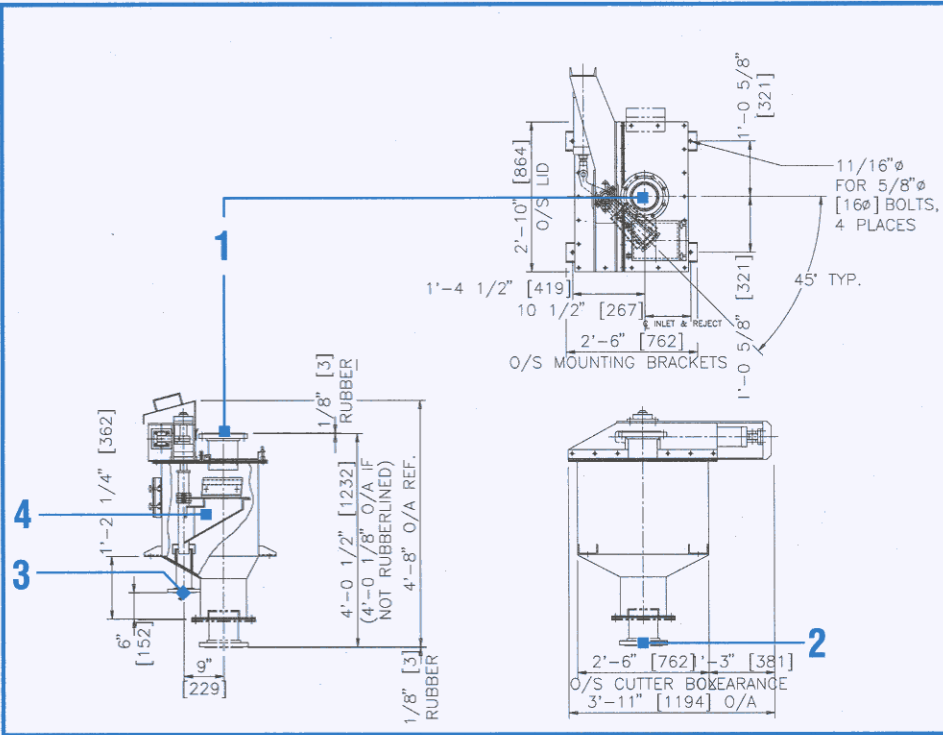
Sample Out

Primary Flow Out

arcual samplers

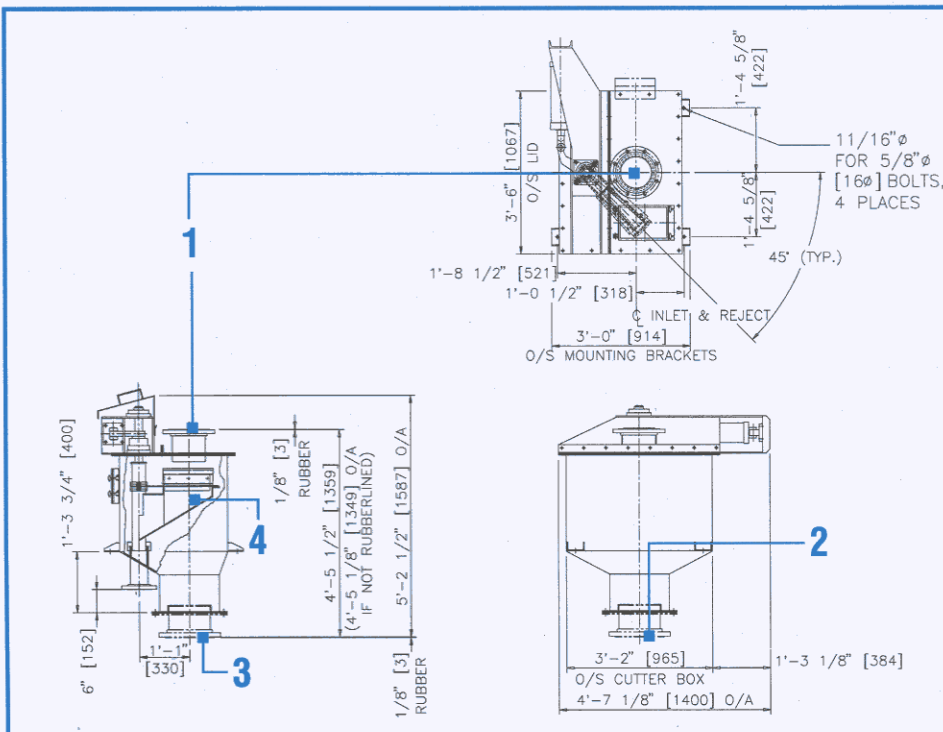
Model 3000 Series Intermittent

Model 3620



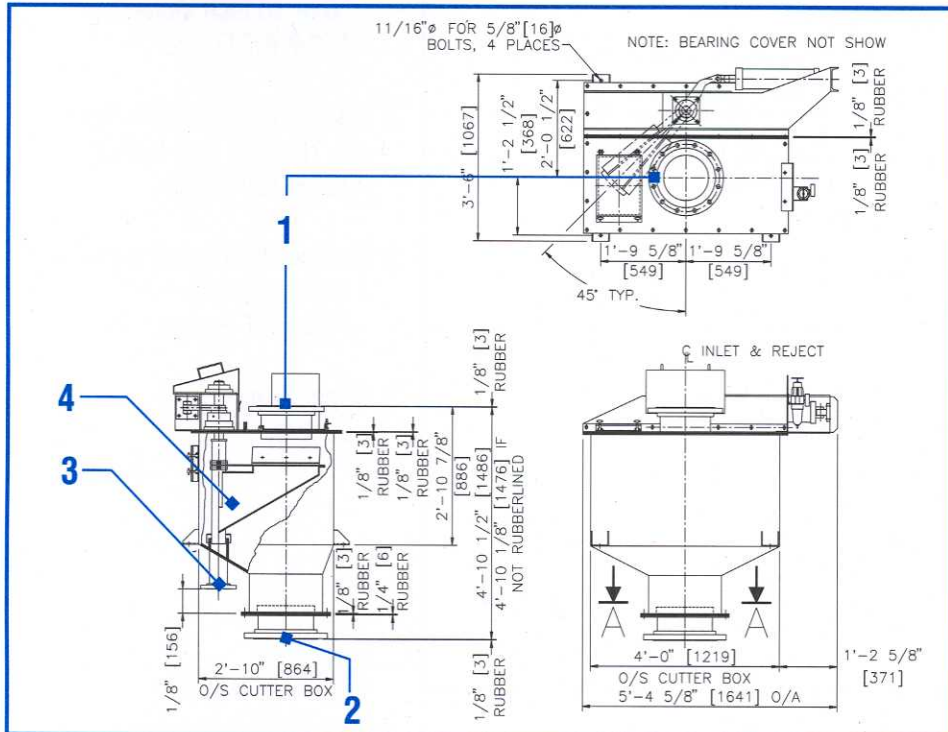
- 1 Inlet Connection Type
 - 4 or 6 Inch Victaulic
 - 150# R/F Flange
- 2 Discharge Connection Type
 - 4, 6 or 8 Inch Victaulic
 - 150# R/F Flange
 - Open Bottom
- 3 Sample Discharge Connection
 - 3 Inch Victaulic
 - 150# R/F Flange
- 4 Cutter Size
 - 9 Inch

Model 3630



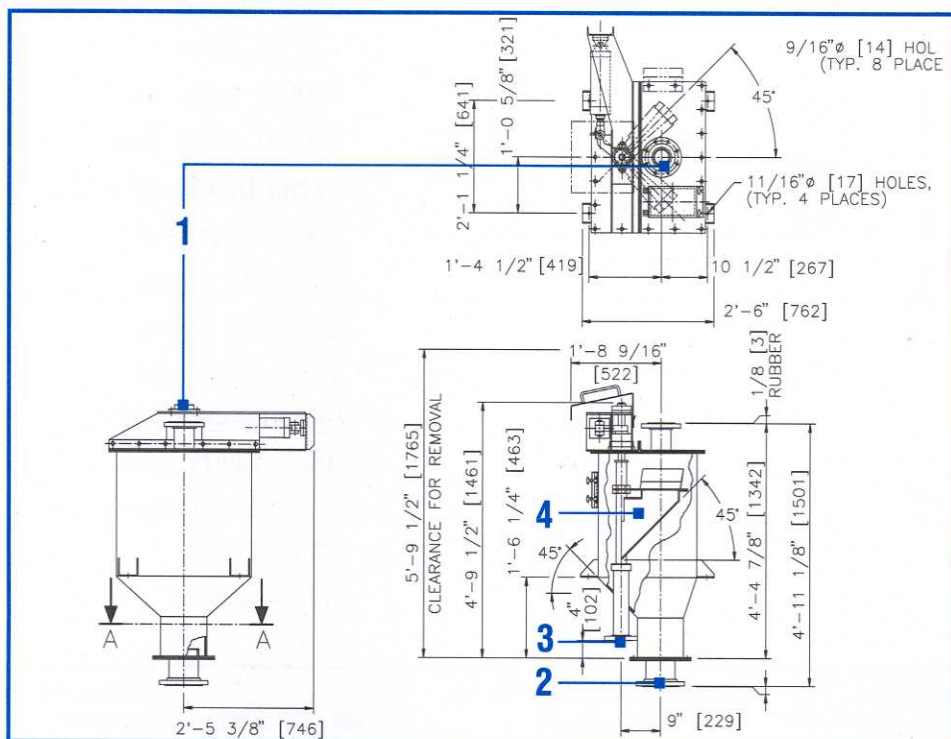
- 1 Inlet Connection Type
 - 8 or 10 Inch Victaulic
 - 150# R/F Flange
- 2 Discharge Connection Type
 - 8, 10 or 12 Inch Victaulic
 - 150# R/F Flange
 - Open Bottom
- 3 Sample Discharge Connection
 - 4 Inch Victaulic
 - 150# R/F Flange
- 4 Cutter Size
 - 13 Inch

Model 3640



- 1 Inlet Connection Type
 - 12 or 14 Inch Victaulic
 - 150# R/F Flange
- 2 Discharge Connection Type
 - 12, 14 or 16 Inch Victaulic
 - 150# R/F Flange
- 3 Sample Discharge Connection
 - 4 Inch Victaulic
 - 150# R/F Flange
- 4 Cutter Size
 - 17 Inch

Model 3720



- 1 Inlet Connection Type
 - 4 or 6 Inch Victaulic
 - 150# R/F Flange
- 2 Discharge Connection Type
 - 4, 6 or 8 Inch Victaulic
 - 150# R/F Flange
 - Open Bottom
- 3 Sample Discharge Connection
 - 3 Inch Victaulic
 - 150# R/F Flange
- 4 Cutter Size
 - 9 Inch

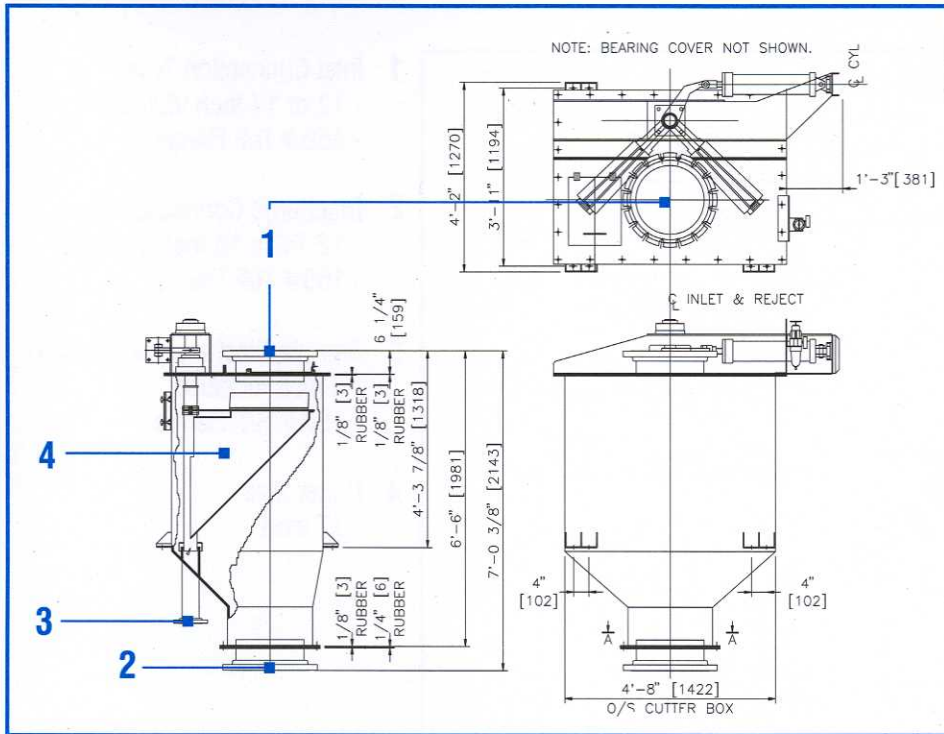
arcual samplers

Model 3000 Series Intermittent



HEATH & SHERWOOD

Model 3750

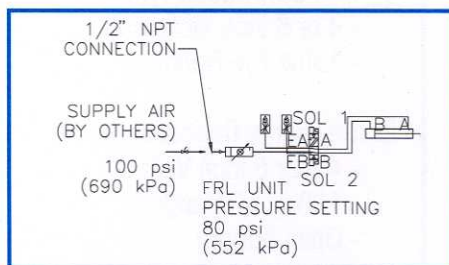


- 1 Inlet Connection Type
 - 16 or 18 Inch Victaulic
 - 150# R/F Flange
- 2 Discharge Connection Type
 - 8, 10 or 12 Inch Victaulic
 - 150# R/F Flange
- 3 Sample Discharge Connection
 - 4 Inch Victaulic
 - 150# R/F Flange
- 4 Cutter Size
 - 21 Inch

NOTE:
General Arrangement Drawings
Available on Autocad Disks

Details (All Models)

Pneumatic Schematic



(NEMA 4x Optional)

Note:

All models include convenient filter/regulator set for connection to air supply.

Weight

Model	lbs	kg
3620	675	307
3630	1075	489
3640	1400	636
3650	2050	932

Other Models Available

- 3730, 3740, 3750
- 3820, 3830, 3840, 3850
- 3920, 3930, 3940, 3950

Cutter Discharge Angle

- 3600- 30 degree
- 3700- 45 degree
- 3800- 60 degree
- 3900- 70 degree

Recommended Use

- 3600- Slurry
- 3700- Slurry/Solids
- 3800- Solids
- 3900- Solids

Heath & Sherwood (1964) Limited
Box 340 Kirkland Lake, Ontario
Canada P2N 3J2

Tel. (705) 567-5313
Fax. (705) 568-8545

Heath & Sherwood (USA) Inc.
5299 DTC Boulevard
Suite 500
Englewood, Colorado 80111

Tel (303) 773-2720
Fax (303) 773-2970

Representatives
Worldwide