



# LIGHT DUTY LINEAR SAMPLER

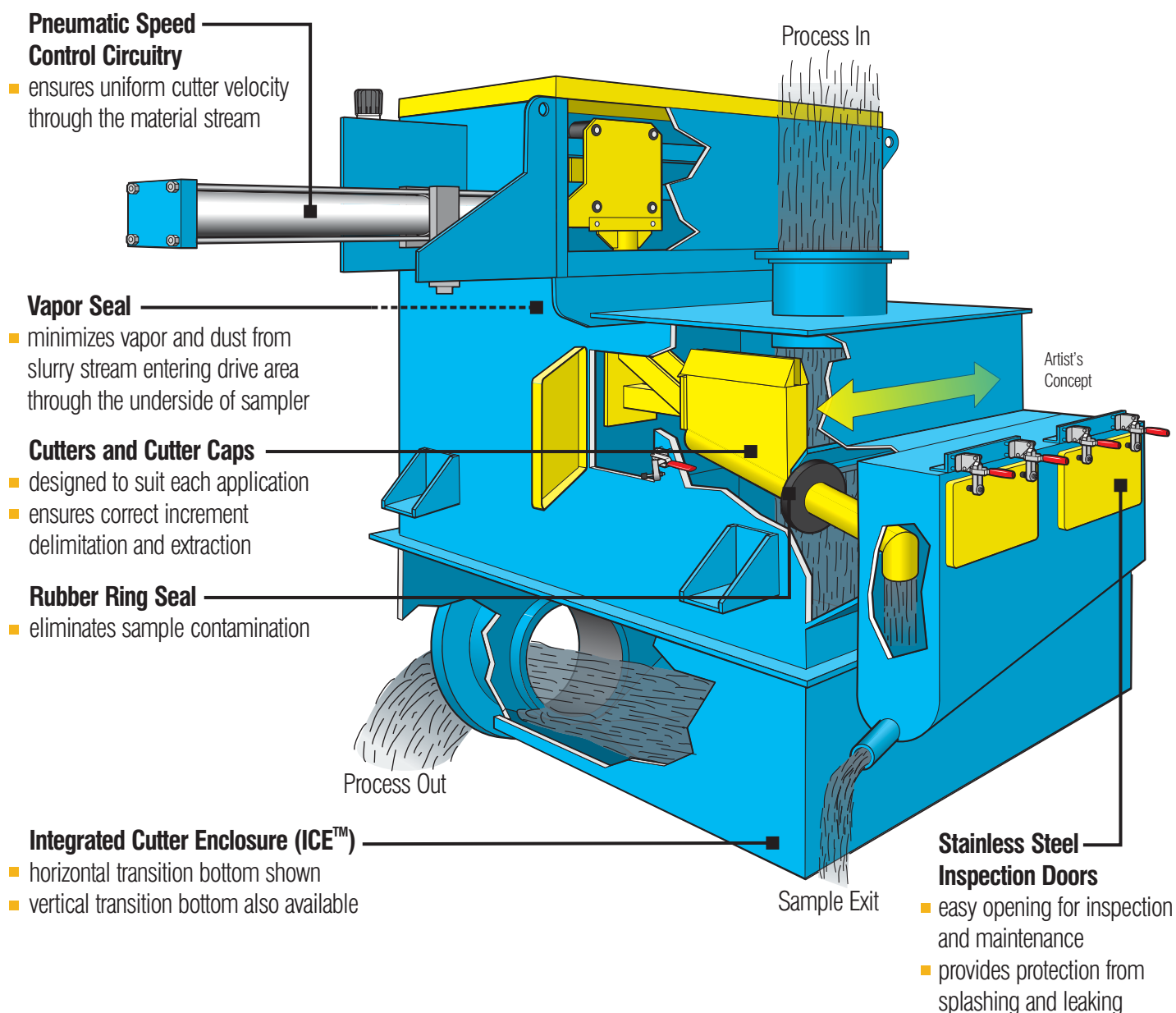
**LDLP/ICE™**

## Economical Sampling of Low to Medium Flows for Metallurgical Accounting of Slurries

All  Linear Samplers Meet or Exceed  
Industry's Best Standards

Increase profits from important process  
streams with accurate sampling.

Standard and custom designs  
available for pipes and launders in  
grinding and flotation circuits.

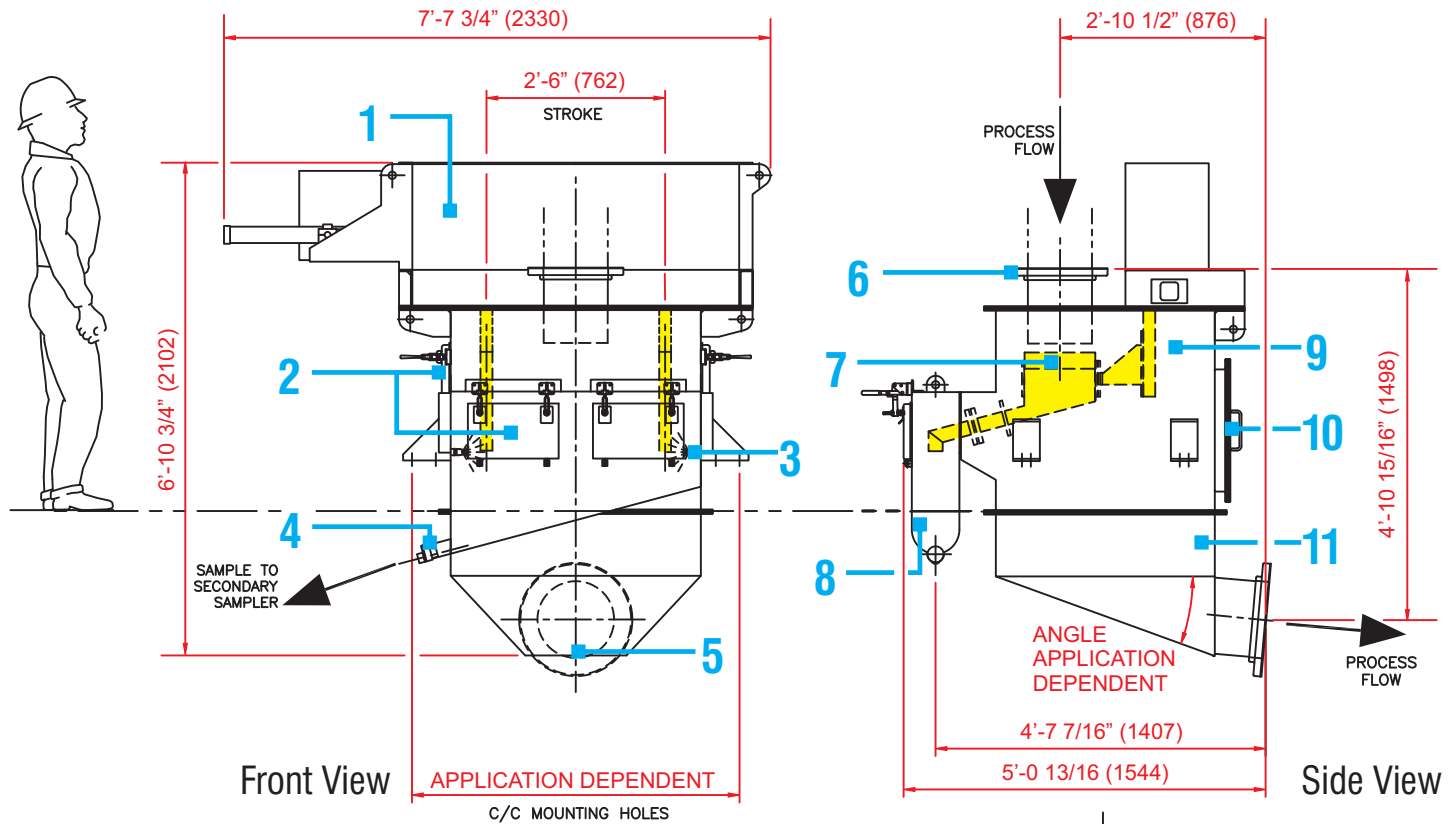


# LIGHT DUTY LINEAR SAMPLER

LDLP/ICE™



## MAJOR COMPONENTS



### NOTES:

- Layout example shown for 10" diameter vertical pipe orientation. Also available for near horizontal pipe or rectangular launder.
- Electric drive available as Model LDLE/ICE™

- |  |  |   |
|--|--|---|
| <p><b>1</b> main sampler body</p> <p><b>2</b> inspection doors- 2 places on enclosure body, 2 places on sample launder</p> <p><b>3</b> water spray nozzles for cutter and launder cleaning at both ends (optional)</p> <p><b>4</b> victaulic sample connections:<br/>             - 1" (25 mm outlet) , 2" (51 mm), or 3" (76 mm), sized for the sample volume of each application<br/>             - 150# flange also available</p> | <p><b>5</b> as shown: 12" process outlet with 150# flange<br/>             - victaulic connection also available</p> <p><b>6</b> - for vertically oriented process pipe sizes 10" to 14"<br/>             - contact H&amp;S for larger sizes of nearly horizontal pipes and launders (both Models LDLP and LDLE)</p> <p><b>7</b> cutter and cutter cap<br/>             - cutter materials: stainless or abrasion resistant steel<br/>             - cutter cap materials: UHMW polymer, polyurethane or stainless steel</p> | <p><b>8</b> sample launder</p> <p><b>9</b> integrated cutter enclosure (ICE™)</p> <p><b>10</b> main access door (bolted)</p> <p><b>11</b> as shown: optional transition bottom with horizontal outlet, 150# flange<br/>             - victaulic connection also available</p> <p><b>12</b> optional transition bottom: vertical outlet connection with 150# flange<br/>             - victaulic connection also available</p> |
|--|--|---|

**Heath & Sherwood (1964) Limited**  
 Box 340 Kirkland Lake, Ontario  
 Canada P2N 3J2

**Tel:** (705) 567-5313  
**Fax:** (705) 568-8545  
**Toll Free in North America:**  
 1 888-go sample (467-2675)  
**email:** info@heathandsherwood.com

**Subsidiary Offices:**  
 Mississauga, Ontario Canada  
 Agents World Wide

**Visit our website:** [www.heathandsherwood.com](http://www.heathandsherwood.com)