

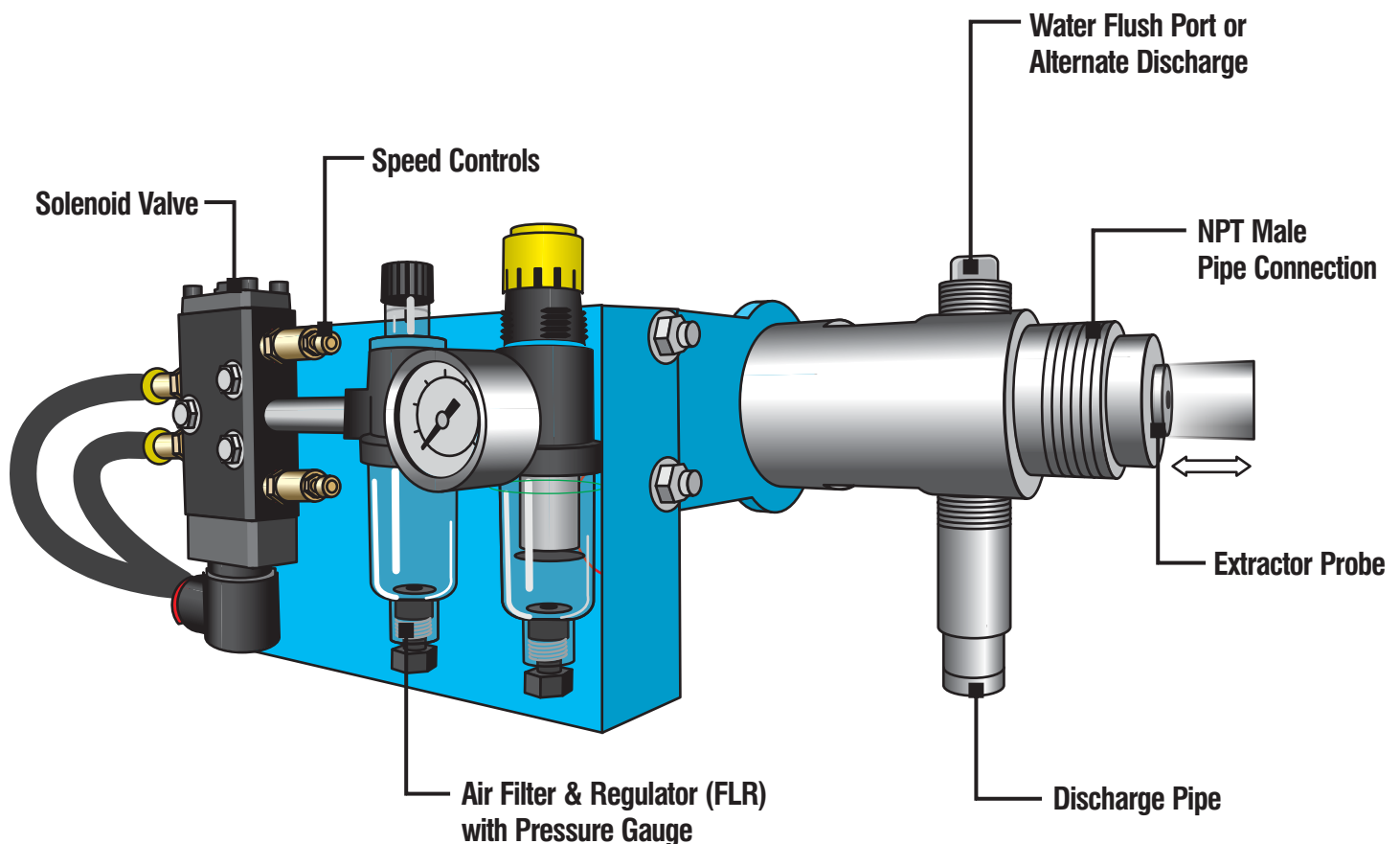


AUTOMATED INCREMENT EXTRACTOR

MODEL AIE

- **Many Pipe Sizes to Choose from:**
 - 1 to 30 Inch Diameter
- **Intermittent Fixed Quantity Sampling of Slurries and Liquids**
- **Sampling Volumes Available:**
 - 8cc, 10cc and 12cc

Latest innovation in-line grab sampler. Drive unit moves the extractor probe into the process pipe through a threaded mount. Used on pressurized pipes and horizontal gravity flow pipes.



AUTOMATED INCREMENT SAMPLER

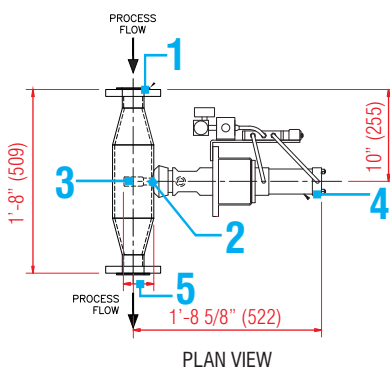
MODEL AIE



MAJOR COMPONENTS

Type 01- Small Pipes 1", 2", or 3" (Spool Piece Supplied)

- factory mounted for 1" (25), 2" (51), or 3" (75) pipe sizes
- piping assembly length is same for all sizes



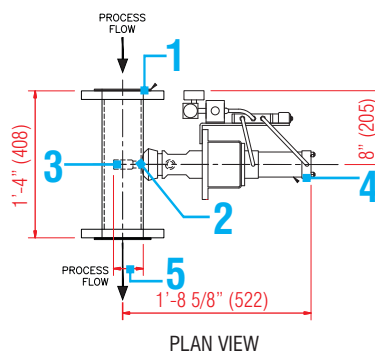
PLAN VIEW

ELEVATION VIEW

- supplied with 4" x 2" piping assembly with spool pipe concentric reducers for either 1" (25), 2" (51) or 3" (76) 150# flange connections
- welded on threaded mount (factory supplied)
- probe extends into process stream to extract a small increment sample
- sampler assembly
- extractor probe in extended position
- sample discharge- 3/4" (19 mm) nominal pipe connection
- filter/regulator/lubricator (FRL) assembly

Type 02- Normal Pipe Sizes (Spool Piece Supplied)

- factory mounted for 4" (102) and larger pipe sizes
- piping assembly length shown for 4" (102) pipe



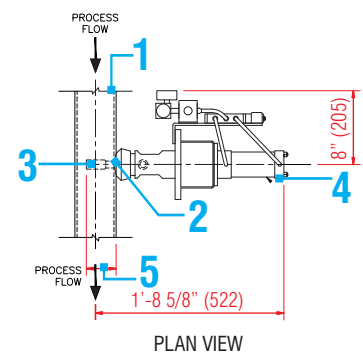
PLAN VIEW

ELEVATION VIEW

- supplied with piping assembly with spool pipe and 150# flange connection
- welded on threaded mount (factory supplied)
- probe extends into process stream to extract a small increment sample
- sampler assembly
- extractor probe in extended position
- sample discharge- 3/4" (19 mm) nominal pipe connection
- filter/regulator/lubricator (FRL) assembly

Type 03- Threaded Mount Supplied

- field welded for 4" (102) and larger pipe sizes



PLAN VIEW

ELEVATION VIEW

- existing process pipe
- supplied with threaded mount (must be field welded by customer)
- probe extends into process stream to extract a small increment sample
- sampler assembly
- extractor probe in extended position
- sample discharge- 3/4" (19 mm) nominal pipe connection
- filter/regulator/lubricator (FRL) assembly

Heath & Sherwood (1964) Limited
Box 340 Kirkland Lake, Ontario
Canada P2N 3J2

Tel: (705) 567-5313
Fax: (705) 568-8545
Toll Free in North America:
1 888-go sample (467-2675)
email: info@heathandsherwood.com

Subsidiary Offices:
Mississauga, Ontario Canada
Agents World Wide

Visit our website: www.heathandsherwood.com