



PRESSURE PIPE SAMPLER

MODEL PPV SERIES

Continuous Trending Sampling from Pressurized Vertical Pipes

Typical application:
to streams in mineral concentrators
where the product is pumped
to next stage

Sample Out

Sample Connections

- replaceable rubber lined sample nozzle
- computer modelling for sizing each nozzle to the application

Process Flow Out to Next Stage

Process Connections

- installs on a vertical process line near pump discharge

Slurry Mixing Rods

- turbulence rods promote proper mixing
- replaceable UHMW polymer covers

Rubber Lined Inner Surface

- prevents wear
- special lining materials are available
- hot vulcanized process prevents separation of rubber from metal surface

Artists Concept

Process Flow In from Pump

Process Connections

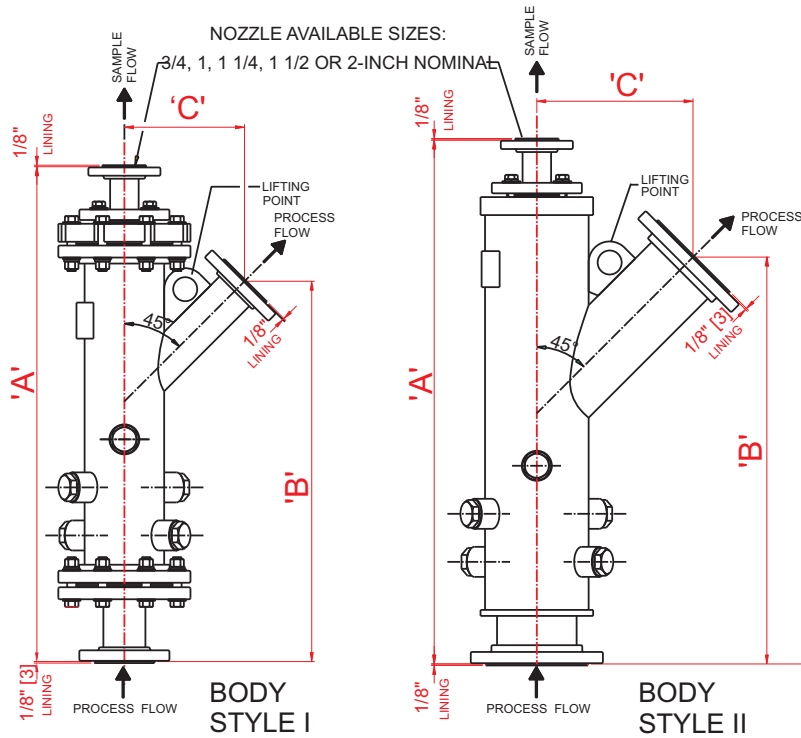
- installs on a vertical process line near pump discharge
- available connections:
 - ANSI 150#
 - victaulic

PRESSURE PIPE SAMPLER

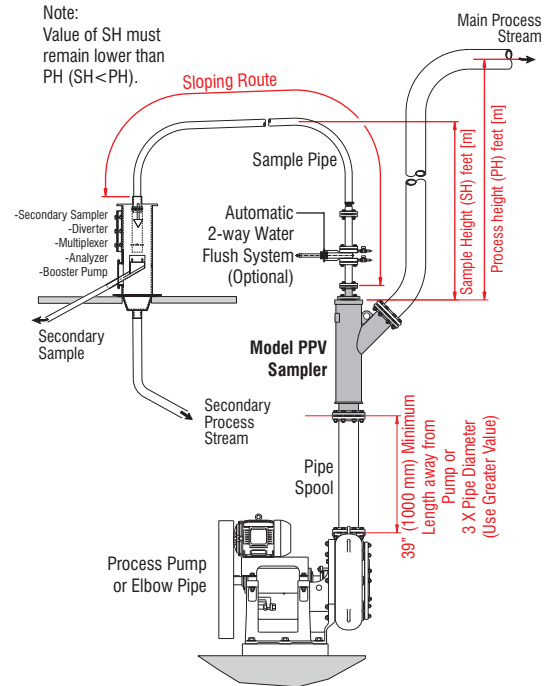
MODEL PPV SERIES



SPECIFICATIONS



TYPICAL INSTALLATION



DIMENSIONS

nominal size (inches)	model number	body style	dimension ± 1/8" (3 mm)			weight (est.)	
			A inches (mm)	B inches (mm)	C inches (mm)	flanged lbs (kg)	grooved lbs (kg)
3	PPV03	I	41 1/4 (1048)	31 3/4 (806)	10 (254)	242 (110)	218 (99)
4	PPV04	I	42 1/2 (1080)	33 1/2 (851)	11 (260)	260 (118)	228 (104)
5	PPV05	I	44 (1118)	35 (889)	12 (305)	275 (125)	237 (108)
6	PPV06	II	43 1/2 (1105)	34 (864)	13 (330)	243 (110)	197 (90)
8	PPV08	II	46 1/2 (1181)	36 1/4 (921)	15 (381)	374 (170)	280 (127)
10	PPV10	II	49 1/2 (1257)	38 3/4 (984)	17 (432)	488 (222)	394 (179)
12	PPV12	II	52 1/4 (1327)	41 1/2 (1054)	19 (483)	613 (279)	478 (217)
14	PPV14	II	54 (1372)	43 1/2 (1104)	21 (533)	957 (435)	574 (261)
16	PPV16	II	57 (1448)	45 3/4 (1162)	23 (584)	1170 (532)	693 (315)
18	PPV18	II	59 3/4 (1518)	48 1/4 (1226)	25 (635)	1233 (560)	824 (375)
20	PPV20	II	62 1/2 (1588)	50 3/4 (1289)	27 (686)	1607 (730)	954 (434)
22	PPV22	II	65 1/2 (1664)	53 (1346)	29 (737)	1886 (857)	1133 (515)
24	PPV24	II	68 1/4 (1734)	55 1/2 (1409)	31 (787)	2146 (975)	1274 (579)
26	PPV26	II	71 (1803)	58 (1473)	33 (838)	2536 (1150)	1400 (635)
28	PPV28	II	73 3/4 (1873)	60 1/2 (1537)	35 (889)	2847 (1291)	1525 (692)
30	PPV30	II	78 3/4 (2000)	64 3/4 (1645)	37 (940)	3000 (1361)	1660 (753)
32	PPV32	II	81 1/2 (2070)	67 (1702)	39 (991)	3325 (1508)	1795 (814)
34	PPV34	II	84 1/4 (2140)	69 1/2 (1765)	41 (1041)	3650 (1656)	1930 (875)
36	PPV36	II	87 (2210)	72 (1829)	43 (1092)	3975 (1803)	2065 (937)

Nozzle Sizing

- customer to supply:
- pump pressure (less than or equal to 100 psi)
 - sample height (SH)
 - S.G. of slurry
 - pipe run

Heath & Sherwood (1964) Limited
Box 340 Kirkland Lake, Ontario
Canada P2N 3J2

Tel: (705) 567-5313
Fax: (705) 568-8545
Toll Free in North America:
1 888-go sample (467-2675)
email: info@heathandsherwood.com

Subsidiary Offices:
Mississauga, Ontario Canada
Agents World Wide

Visit our website: www.heathandsherwood.com