

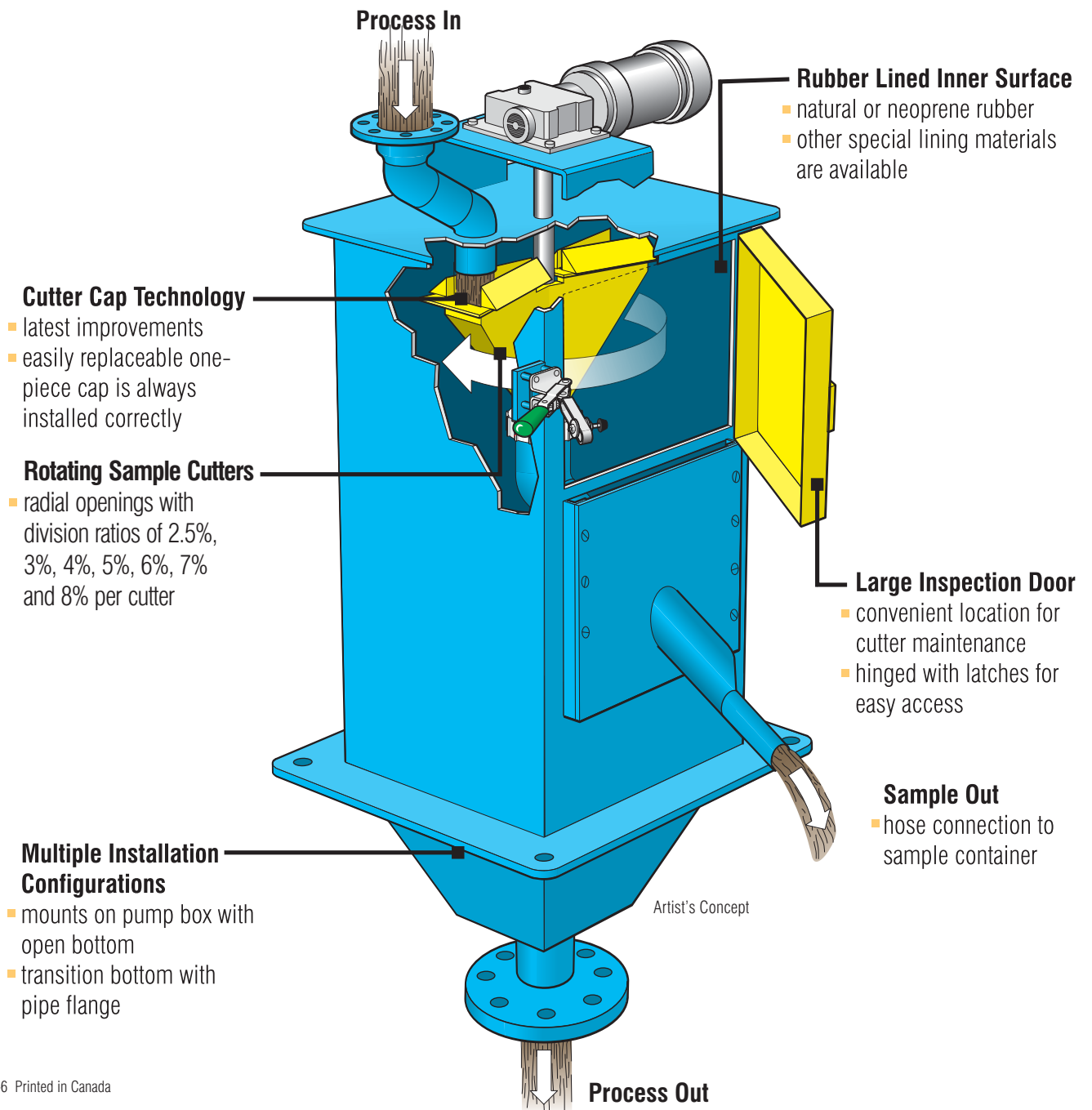


ROTARY VEZIN SAMPLER

MODEL 4510-3200

Accurate Sampling from Rotary Action Cutter following the Recommendations of Existing Standards and Consultants

Continuous and intermittent sampling from an easy to install self-contained module

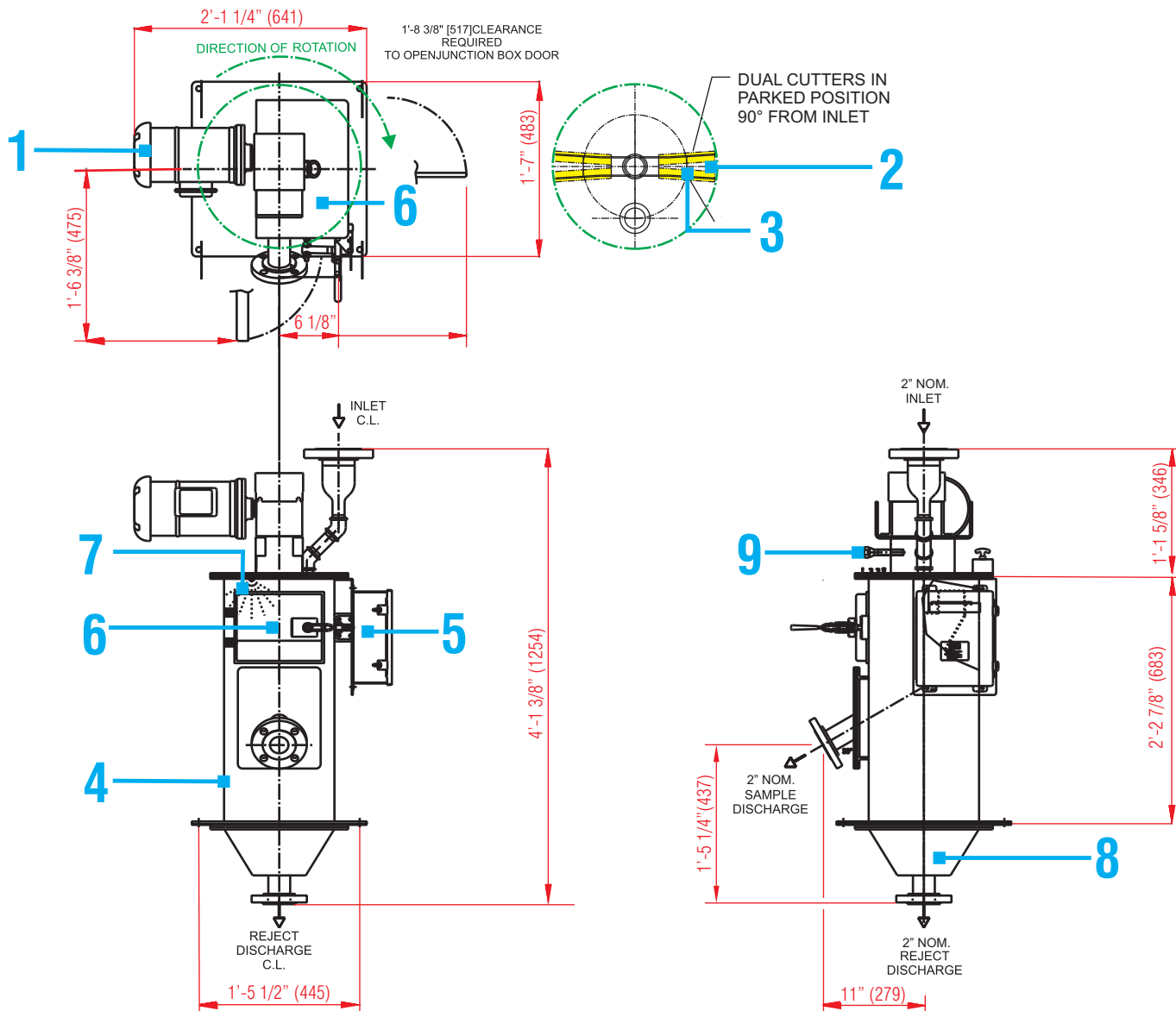


ROTARY VEZIN SAMPLER

MODEL 4510-3200



MAJOR COMPONENTS (STANDARD DESIGN- TWO CUTTER- CONTINUOUS OPERATION FOR SLURRIES)



1 - standard motor supply is 1/3 hp TEFC with brake
- standard supply for high efficiency IEEE-841 motor is 1 hp TEFC with brake

2 cutter cap available in moulded polyurethane or stainless steel

3 cutter(s) available in arrangements of 1 to 3 sets

4 body constructed of heavy steel plate (stainless steel available on request)

5 junction box

6 inspection doors (2), one lid and one body/enclosure

7 optional water flush system

8 transition bottom as shown also available as open bottom

9 limit switch (home position)

■ weight: 250 lbs (127 kg) with 1/3 hp motor

■ general arrangement sketch shown with flange connections -victaulic connections also available

■ CE marking available

Heath & Sherwood (1964) Limited
Box 340 Kirkland Lake, Ontario
Canada P2N 3J2

Tel: (705) 567-5313
Fax: (705) 568-8545
Toll Free in North America:
1 888-go sample (467-2675)
email: info@heathandsherwood.com

Subsidiary Offices:
Mississauga, Ontario Canada
Agents World Wide

Visit our website: www.heathandsherwood.com