

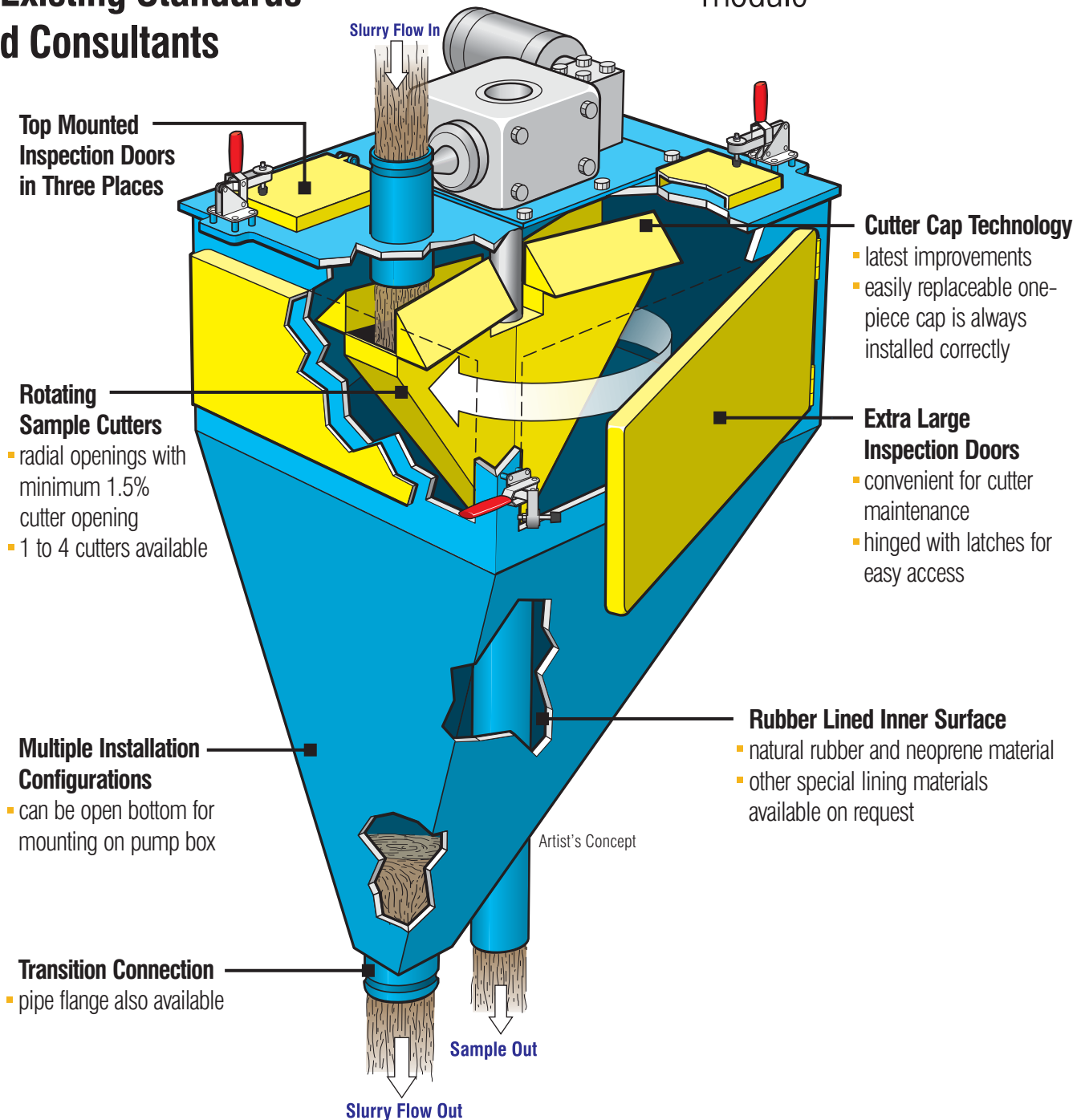


ROTARY VEZIN SAMPLER

MODEL 4810-3500

Accurate Sampling of Slurry or Dry Solids from Rotary Action Cutter following the Recommendations of Existing Standards and Consultants

Continuous and intermittent operation sampling from an easy to install self-contained module

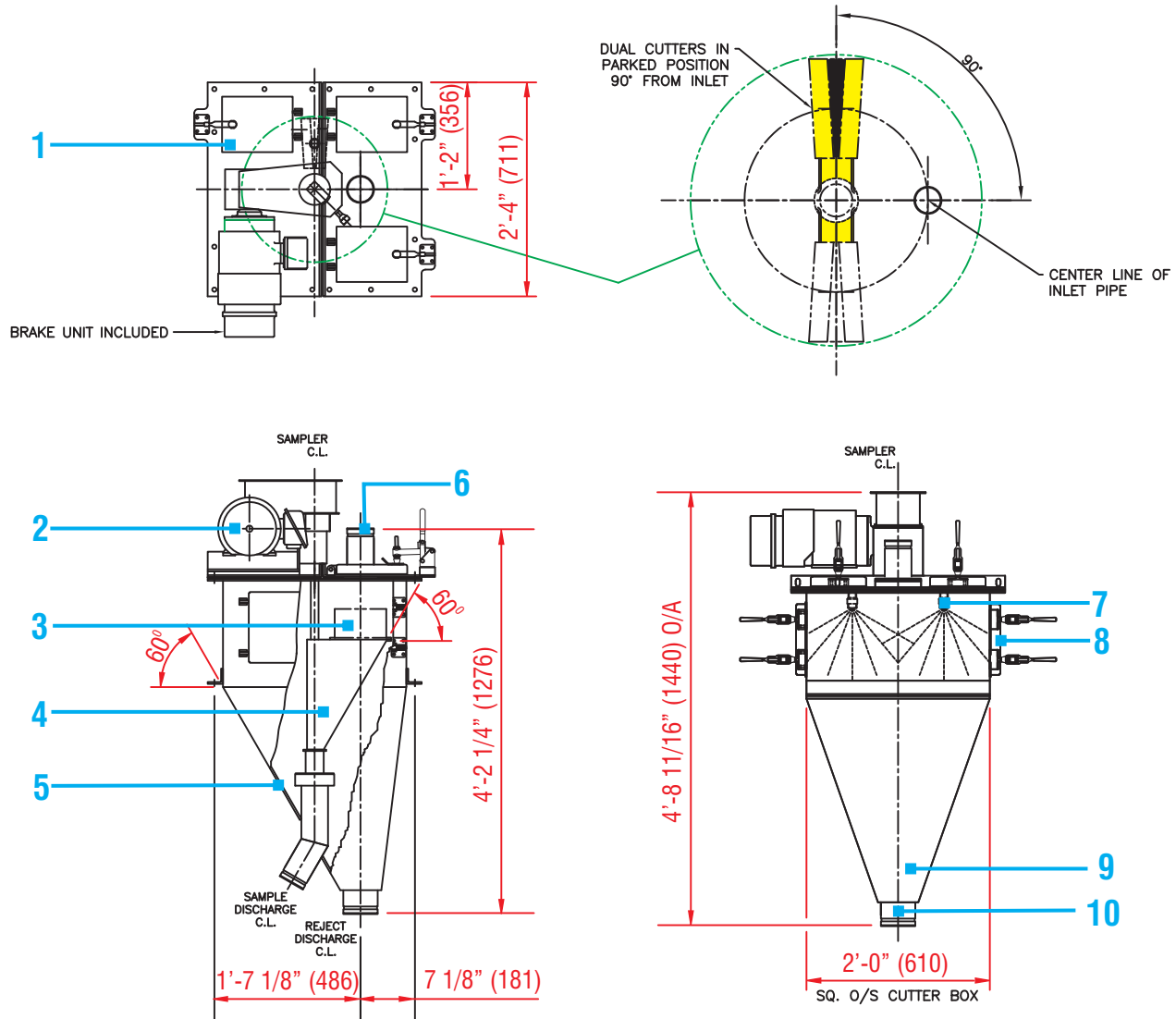


ROTARY VEZIN SAMPLER

MODEL 4810-3500



MAJOR COMPONENTS (STANDARD DESIGN- TWO CUTTER SLURRY VERSION)



- | | | |
|----------------------------------------------------------------------------------------------------------------------------------------------------------------------------------------------------------------------------------------------------------------------------------------------|------------------------------------------------------------------------------------------------------------------------------------------------------------------------------------------------------------------------------------------------------------------------------------------------------|--------------------------------------------------------------------------------------------------------------------------------------------------------------------------------------------------------------------------------------------------------------------------------------------------------------------------------------------------------------------|
| <p>1 top mounted access doors (3)</p> <p>2 - standard motor is 1/3 hp TEFC with brake
- standard supply for high efficiency IEEE-841 motor is 1 hp TEFC with brake</p> <p>3 cutter cap available in molded polyurethane, stainless, or abrasion resistant steel</p> | <p>4 cutter(s) available in arrangements of 1 to 4 sets</p> <p>5 body constructed of heavy steel plate (stainless steel available on request)</p> <p>6 2, 2 1/2 or 3 inch inlet connection</p> <p>7 water spray nozzles to clean cutters in park position (optional)</p> | <p>8 side mounted access doors (2)</p> <p>9 transition bottom as shown(also available as open bottom)</p> <p>10 4 inch outlet process connection (victaulic, flange or custom)</p> <ul style="list-style-type: none"> ■ weight: 550 lbs (250 kg) ■ dry solids version also available ■ CE marking available |
|----------------------------------------------------------------------------------------------------------------------------------------------------------------------------------------------------------------------------------------------------------------------------------------------|------------------------------------------------------------------------------------------------------------------------------------------------------------------------------------------------------------------------------------------------------------------------------------------------------|--------------------------------------------------------------------------------------------------------------------------------------------------------------------------------------------------------------------------------------------------------------------------------------------------------------------------------------------------------------------|

Heath & Sherwood (1964) Limited
Box 340 Kirkland Lake, Ontario
Canada P2N 3J2

Tel: (705) 567-5313
Fax: (705) 568-8545
Toll Free in North America:
1 888-go sample (467-2675)
email: info@heathandsherwood.com

Subsidiary Offices:
Mississauga, Ontario Canada
Agents World Wide

Visit our website: www.heathandsherwood.com