



LIGHT DUTY LINEAR SAMPLER

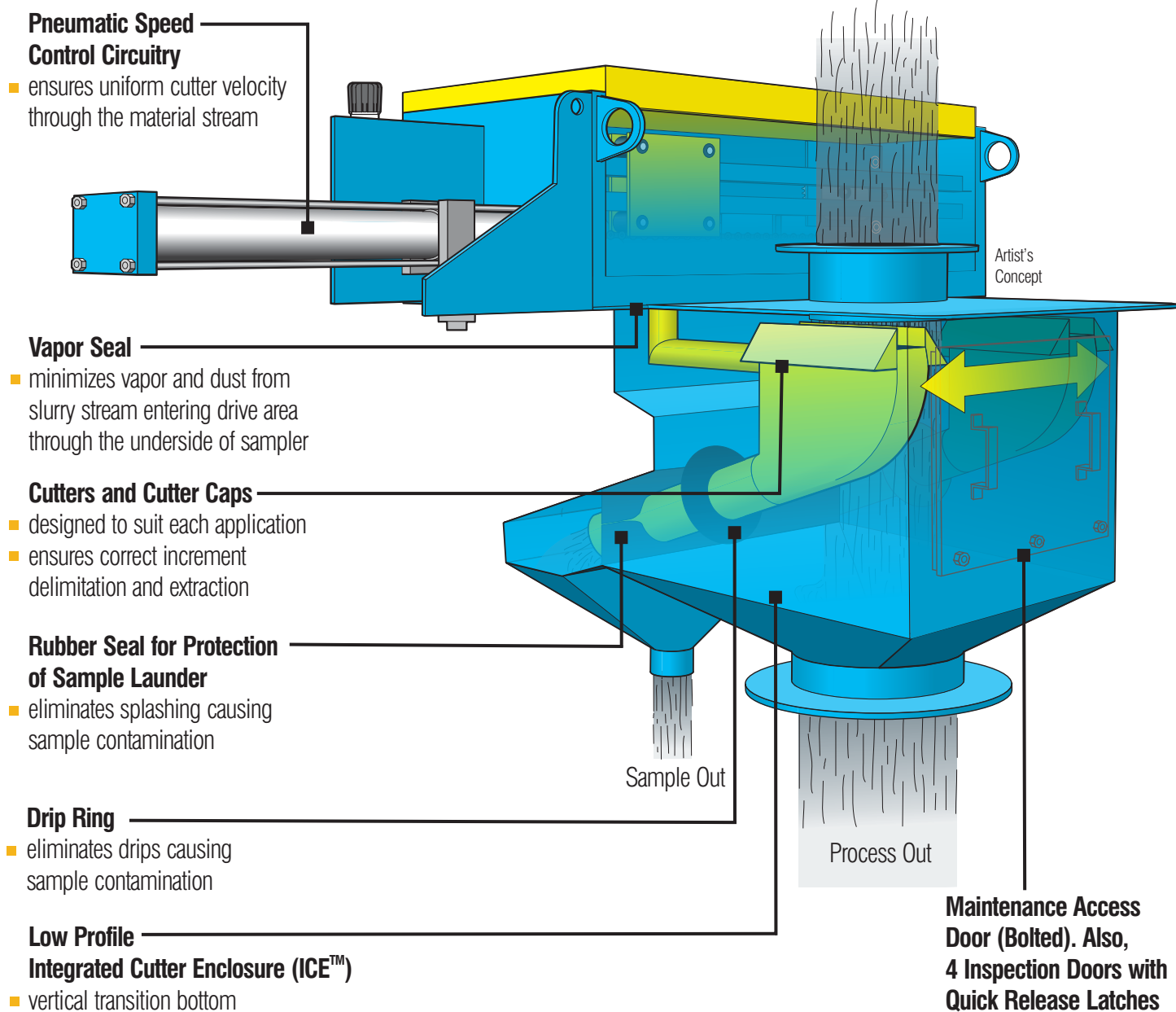
LDLP/LOW PROFILE ICE™

Economical Sampling of Low to Medium Flows for Metallurgical Accounting of Slurries

All  Linear Samplers Meet or Exceed Industry's Best Standards

Increase profits from important process streams with accurate sampling.

Standard and custom designs available for vertical gravity flow pipes in grinding and flotation circuits.

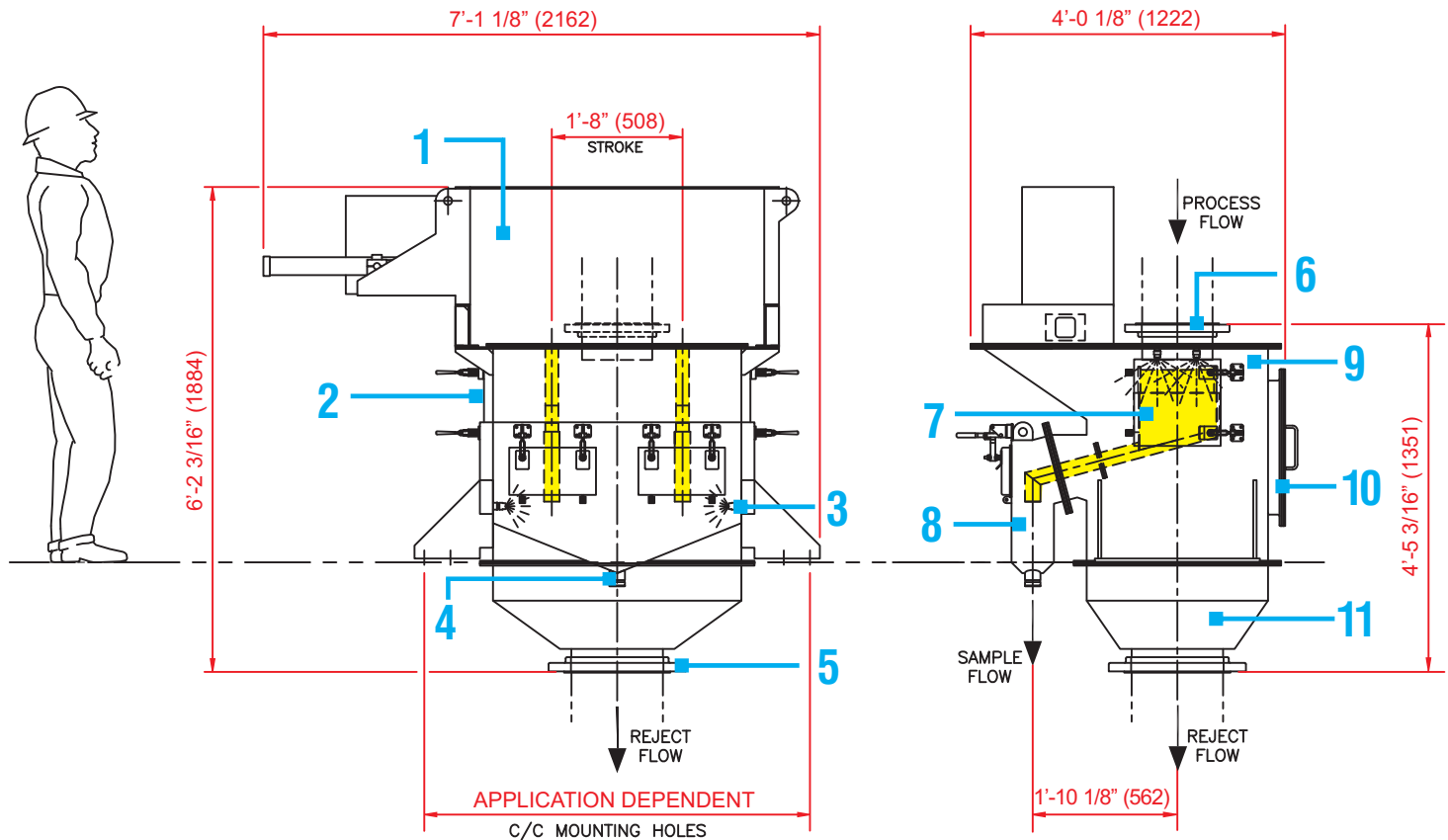


LIGHT DUTY LINEAR SAMPLER

LDLP/LOW PROFILE ICE™



MAJOR COMPONENTS



NOTES:

- Layout example shown for 10" diameter vertical pipe orientation. Also available for near horizontal pipe or rectangular launder.
- Electric drive available as Model LDLE/ICE™

- | | | |
|--|---|--|
| <p>1 main sampler body</p> <p>2 stainless steel inspection doors- 2 places on enclosure body, 2 places on sample launder</p> <p>3 water spray nozzles for cutter and launder cleaning at both ends (optional)</p> <p>4 victaulic sample connections:
- 1" (25 mm outlet) , 2" (51 mm), or 3" (76 mm), sized for the sample volume of each application
- 150# flange also available</p> | <p>5 as shown: 14" process outlet with 150# flange
- victaulic connection also available</p> <p>6 - for vertically oriented process pipe sizes 10" to 14"</p> <p>7 cutter and cutter cap
- cutter materials: stainless or abrasion resistant steel
- cutter cap materials: UHMW polymer, polyurethane or stainless steel</p> | <p>8 sample launder</p> <p>9 integrated cutter enclosure (ICE™)</p> <p>10 maintenance access door (bolted)</p> <p>11 transition bottom with vertical outlet, 150# flange
- victaulic connection also available</p> |
|--|---|--|

Heath & Sherwood (1964) Limited
Box 340 Kirkland Lake, Ontario
Canada P2N 3J2

Tel: (705) 567-5313
Fax: (705) 568-8545
Toll Free in North America:
1 888-go sample (467-2675)
email: info@heathandsherwood.com

Subsidiary Offices:
Mississauga, Ontario Canada
Agents World Wide

Visit our website: www.heathandsherwood.com