

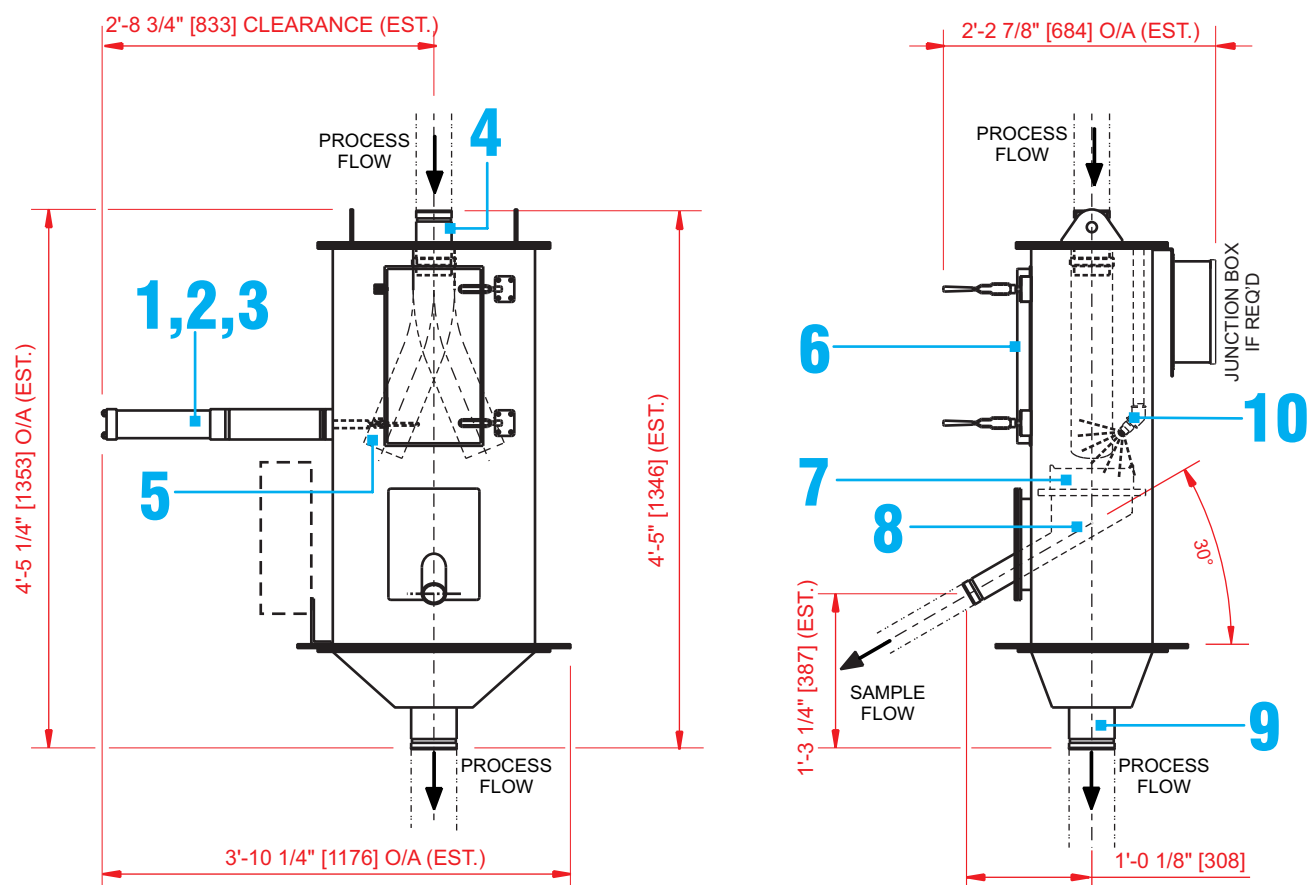
# MOVING INLET SAMPLERS

MODEL 1800 SERIES



HEATH & SHERWOOD

## MODEL 1870- 4 INCH INLET



### Features

- 1 easily replaceable air cylinder with airline conditioner (filter, regulator, lubricator)
- 2 two-position four-way dual solenoid valve, NEMA 4 rated, fitted with manual overrides
- 3 dual adjustable speed control mufflers offer independent speed adjustment in both directions and keeps noise well below accepted levels
- 4 inlet connection shown with 4" victaulic grooved pipe - flanged connection also available
- 5 moving flexible hose
- 6 inspection door
- 7 cutter cap available in various size openings
- 8 stainless steel cutter
- 9 discharge shown with 6" victaulic grooved pipe - flanged connection also available
- 10 optional water cleaning system

NOTE: 8" dia. inlet available as Model 1880

Heath & Sherwood (1964) Limited  
 Box 340 Kirkland Lake, Ontario  
 Canada P2N 3J2  
 Tel: (705) 567-5313  
 Fax: (705) 568-8545  
 Toll Free in North America:  
 1 888-go sample (467-2675)  
 email: info@heathandsherwood.com

Subsidiary Offices:  
 Mississauga, Ontario Canada  
 Agents World Wide  
 Visit our website: [www.heathandsherwood.com](http://www.heathandsherwood.com)



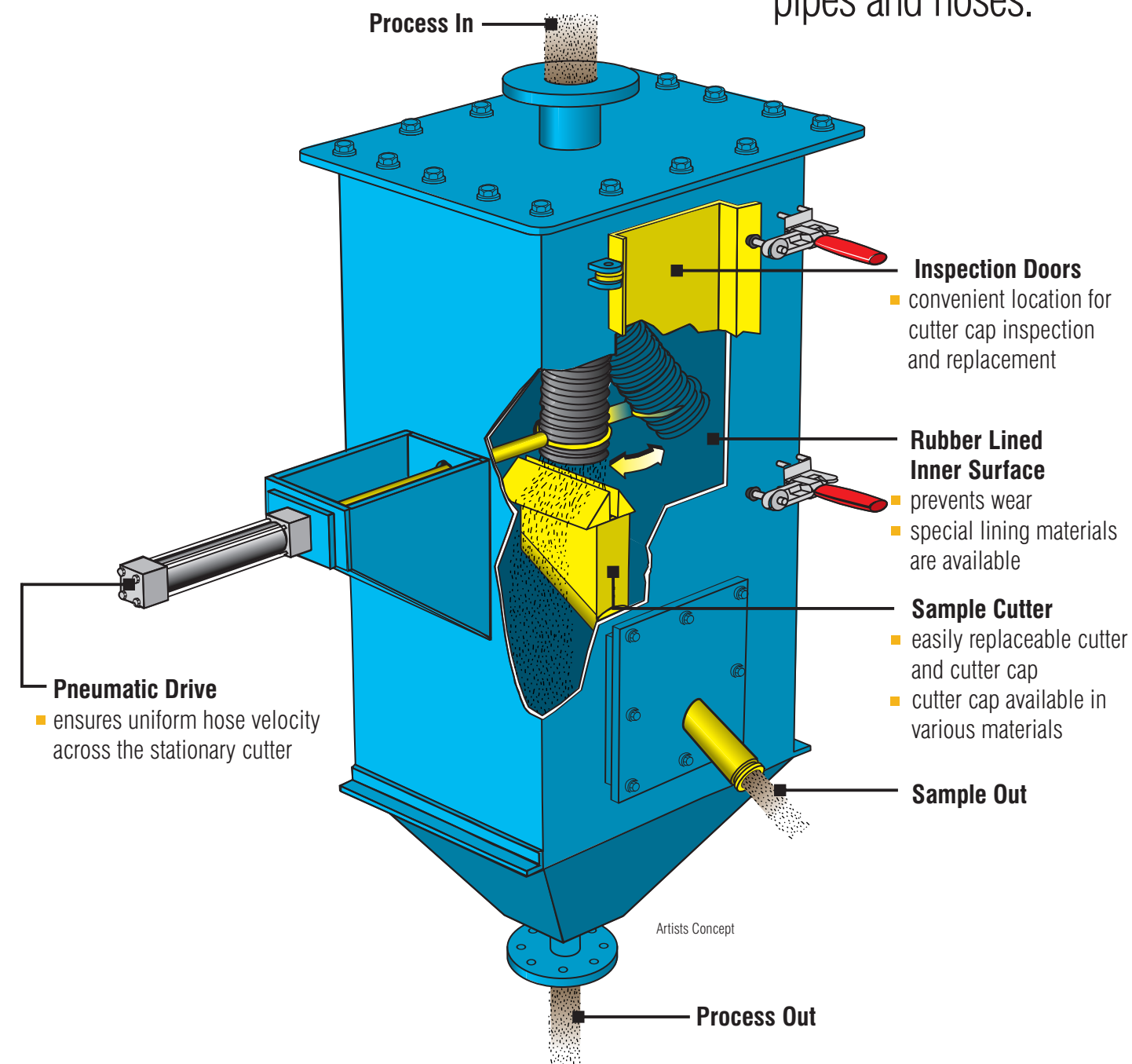
HEATH & SHERWOOD

## Three Models to Choose From: 2, 3 and 4 Inch Inlets

# MOVING INLET SAMPLERS

## MODEL 1800 SERIES

Intermittent, primary or secondary sampling with many applications for pipes and hoses.



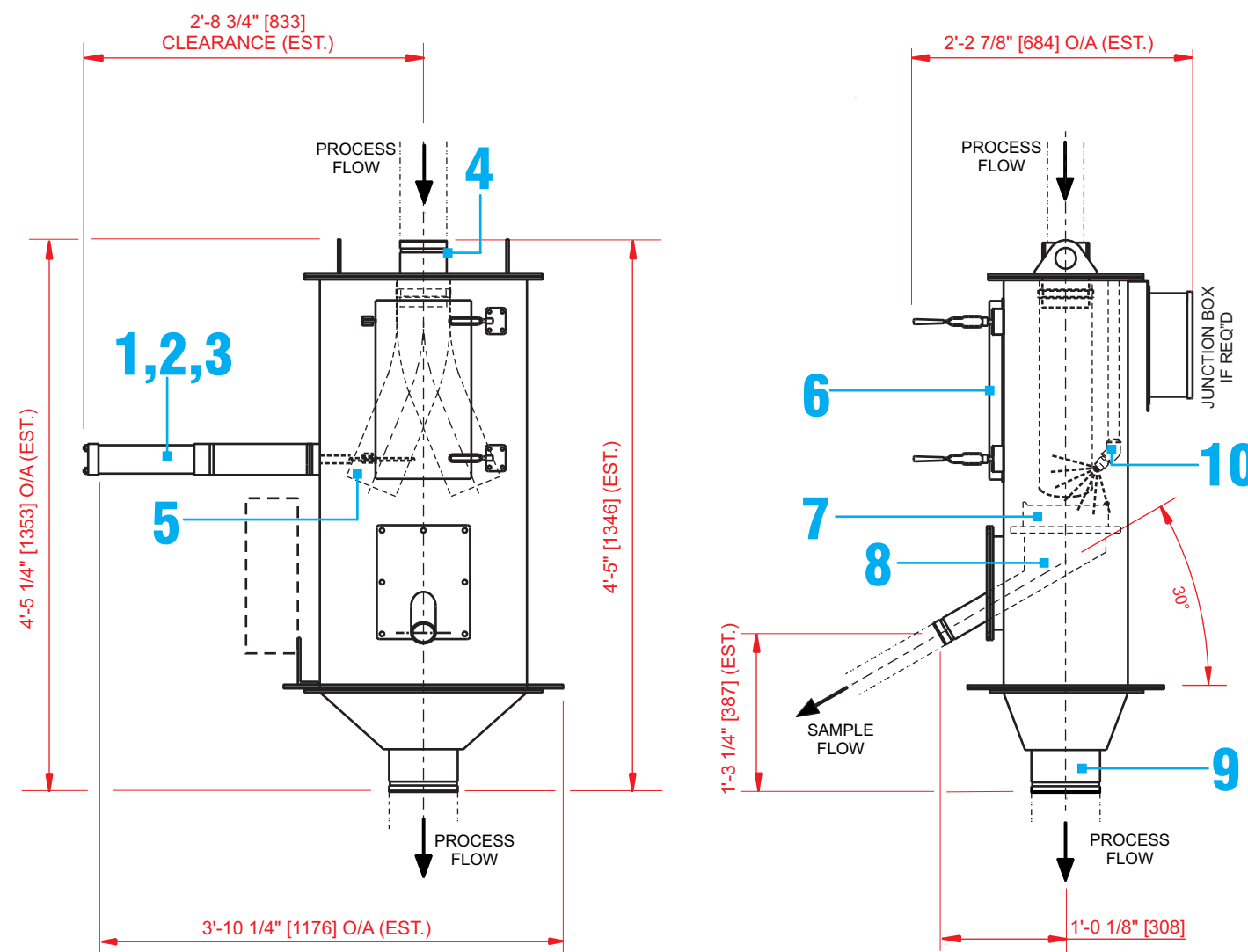
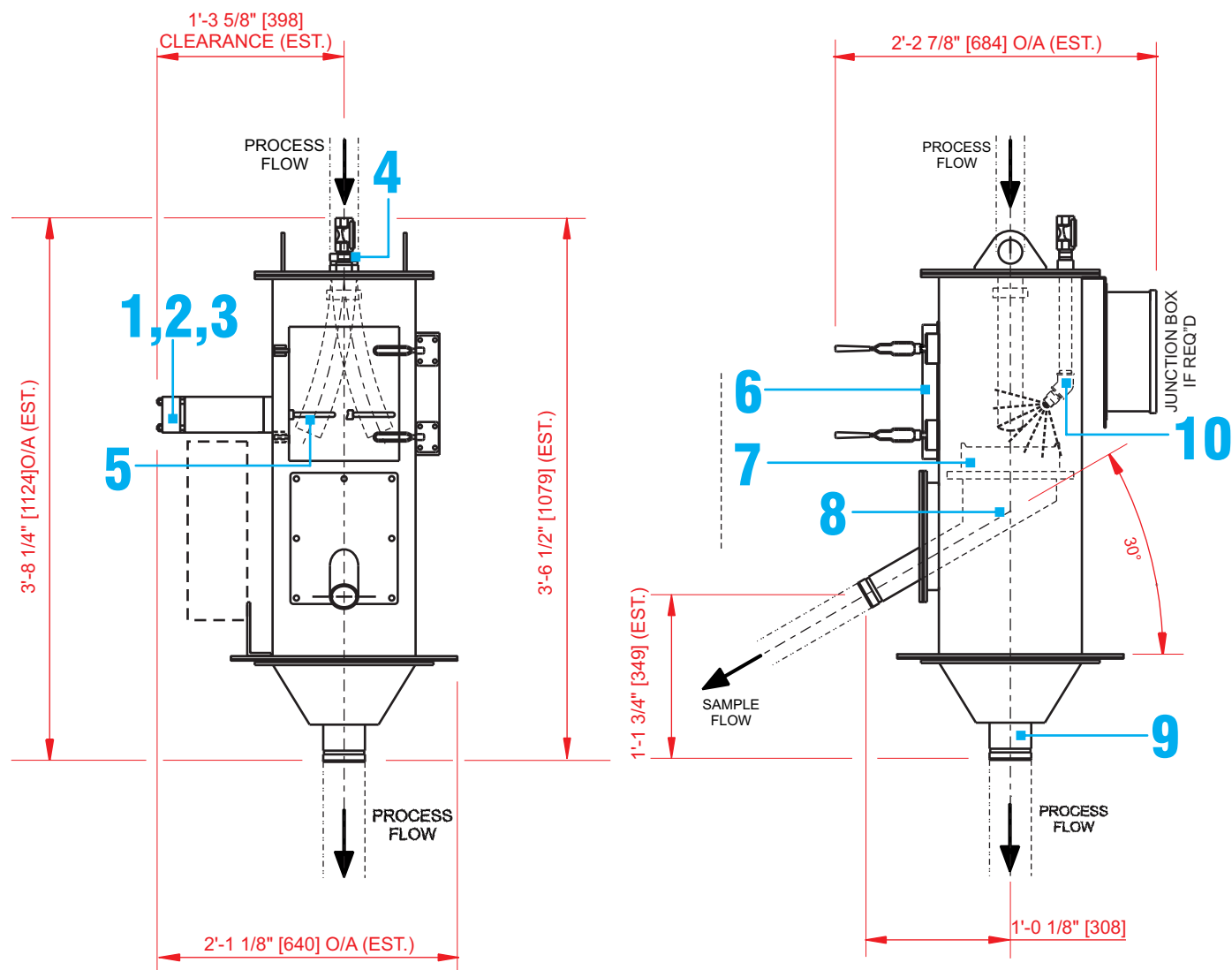
# MOVING INLET SAMPLERS

MODEL 1800 SERIES



## MODEL 1850- 2 INCH INLET

## MODEL 1860- 3 INCH INLET



### Features

- 1** easily replaceable air cylinder with airline conditioner (filter, regulator, lubricator)
- 2** two-position four-way dual solenoid valve, NEMA 4 rated, fitted with manual overrides
- 3** dual adjustable speed control mufflers offer independent speed adjustment in both directions and keeps noise well below accepted levels
- 4** connection shown with 2" victaulic grooved pipe - flanged connection also available
- 5** moving flexible hose
- 6** inspection door
- 7** cutter cap available in various size openings
- 8** stainless steel cutter
- 9** discharge shown with 3" victaulic grooved pipe - flanged connection also available
- 10** optional water cleaning system

### Features

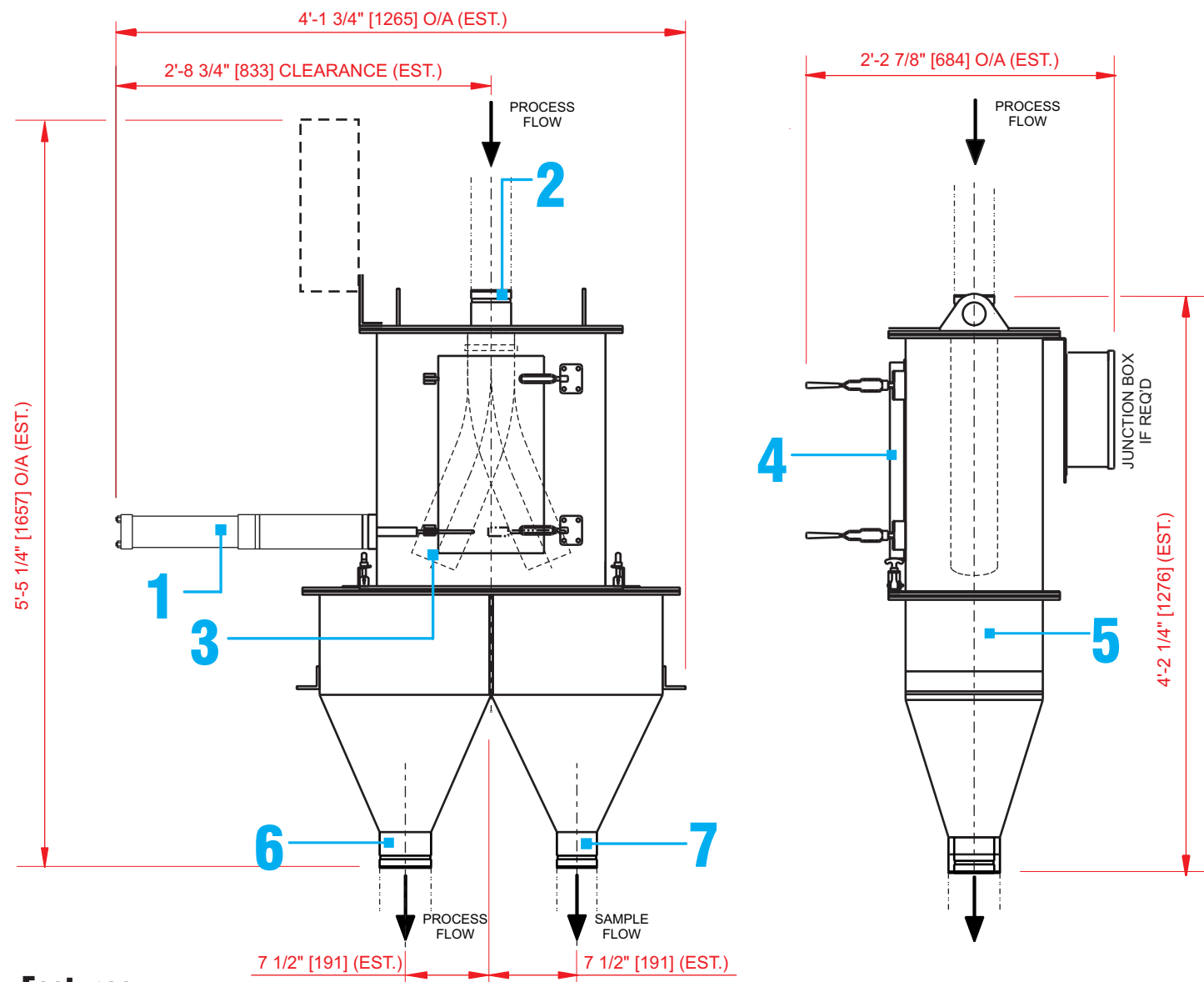
- 1** easily replaceable air cylinder with airline conditioner (filter, regulator, lubricator)
- 2** two-position four-way dual solenoid valve, NEMA 4 rated, fitted with manual overrides
- 3** dual adjustable speed control mufflers offer independent speed adjustment in both directions and keeps noise well below accepted levels
- 4** connection shown with 3" victaulic grooved pipe - flanged connection also available
- 5** moving flexible hose
- 6** inspection door
- 7** cutter cap available in various size openings
- 8** stainless steel cutter
- 9** discharge shown with 4" victaulic grooved pipe - flanged connection also available
- 10** optional water cleaning system

# MOVING INLET DIVERTERS

MODEL 1800 SERIES



## MODEL 1850- PNEUMATICALLY CONTROLLED DIVERTER

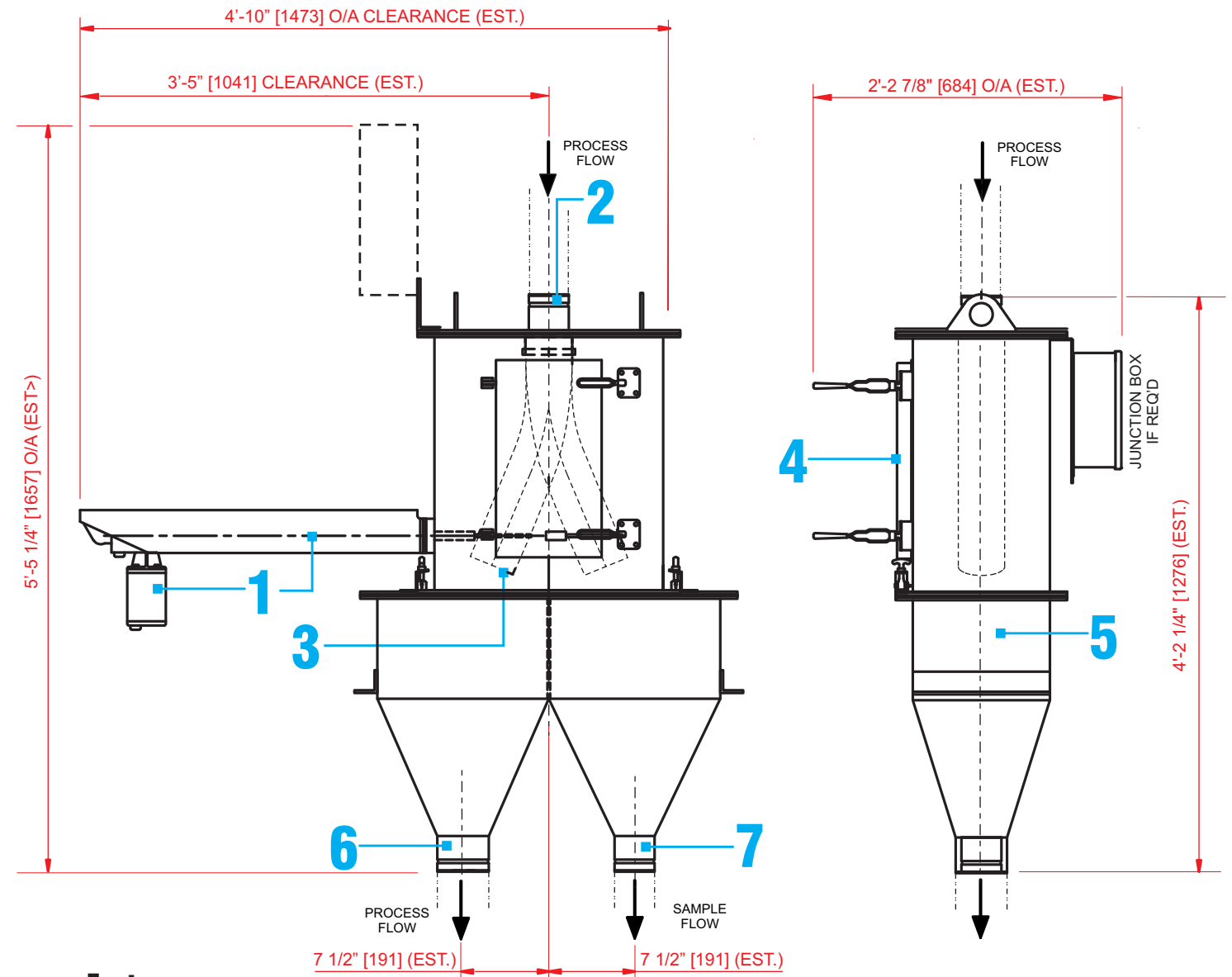


### Features

- 1** easily replaceable air cylinder with airline conditioner (filter, regulator, lubricator)
  - 2** inlet connection shown with 2" victaulic grooved pipe - pipe flange also available
  - 3** moving flexible pipe
  - 4** inspection door
  - 5** diverter lower body
  - 6** 3" diverter process outlet - pipe flange also available
  - 7** 2" diverter sample outlet - pipe flange also available
- available with hi/lo level switches

Note: Pneumatic Diverter Models with 3, 4, 6, and 8" inlets also available

## MODEL 1850- ELECTRICALLY CONTROLLED DIVERTER



### Features

- 1** easily replaceable electric actuator
  - 2** inlet connection shown with 2" victaulic grooved pipe - pipe flange also available
  - 3** moving flexible hose
  - 4** inspection door
  - 5** diverter lower body
  - 6** 3" diverter outlet - pipe flange also available
  - 7** 2" diverter sample outlet - pipe flange also available
- available with hi/lo level switches

Note: Electric Diverter Models with 3, 4, 6, and 8" inlets also available